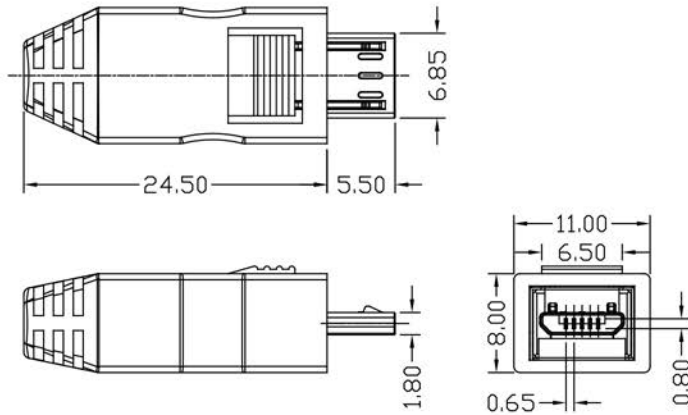


# Micro USB

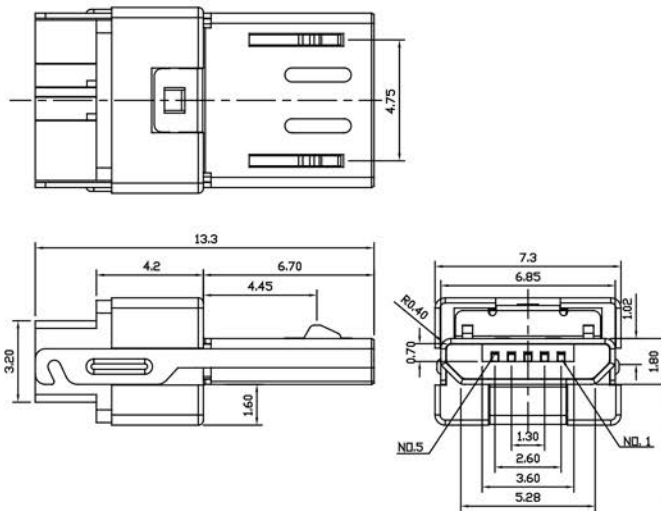
## Micro USB Male Solder 5P B Type



### Part No.:MIUSBA-M5S-L

No.	Name	Q'ty	Material	Remarks & Thickness	Finish
1	Shell	1	Stainless		
2	Contact	5	Phosphor Bronze		Gold Flash all over
3	Housing	1	Nylon	UL 94-V0	White
4	Hood	1	Nylon 66	UL 94-V0	Black

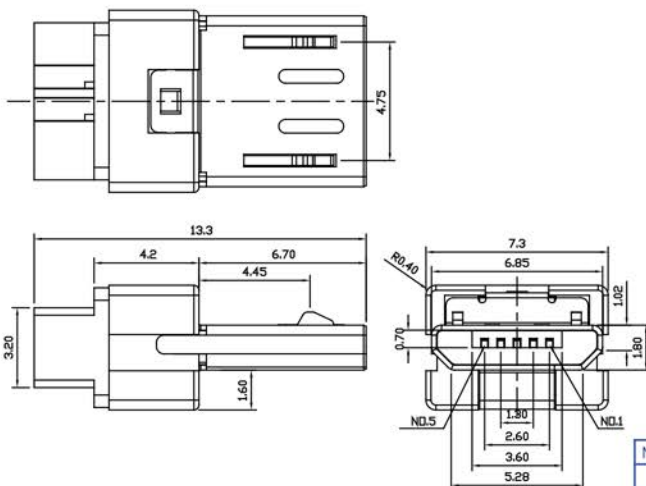
## Micro USB Male Solder Type 5P B Type



### Part No.:MIUSB-M5S1B-U

No.	Name	Material	Finish	Q'TY	Remark
1	Housing	LCP+GF30%	Black	1	
2	Pin Term.	PBS T=0.20	Tin/Gold Plated	5	Ni:80-120u"; Gold:30u" Tin:120-200u"
3	Shell	Stainless T=0.20	Nichel Plated	1	Ni:80-120u"
4	Cover	LCP+GF30%	Black	1	
5	Spring	Stainless T=0.40		1	

## Micro USB Male Solder Type 5P B Type



### Part No.:MIUSB-M5S2B-U

No.	Name	Material	Finish	Q'TY	Remark
1	Housing	LCP+GF30%	Black	1	
2	Pin Term.	PBS T=0.20	Tin/Gold Plated	5	Ni:80-120u"; Gold:30u" Tin:120-200u"
3	Shell	Stainless T=0.20	Nichel Plated	1	Ni:80-120u"
4	Cover	LCP+GF30%	Black	1	
5	Spring	Stainless T=0.40		1	