

MS1340S

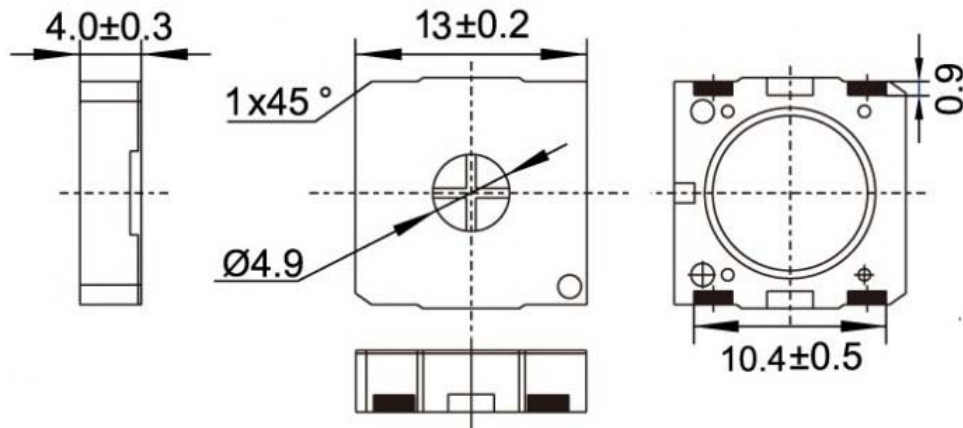
Model No.: MS1340S

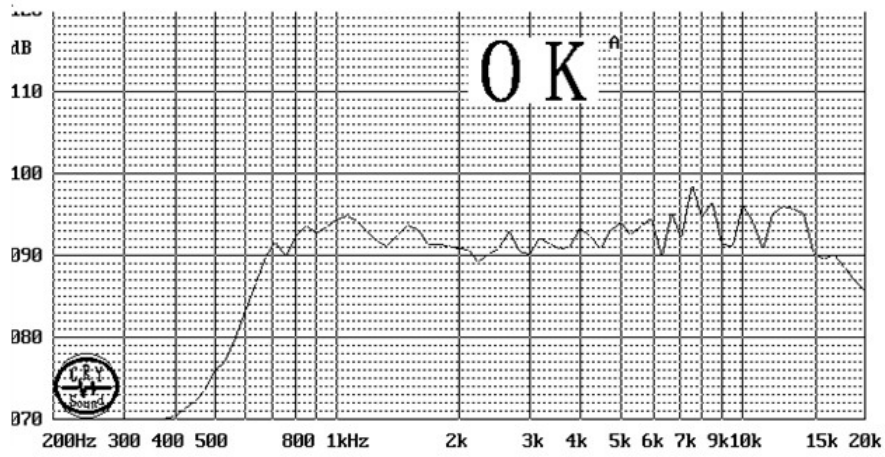
Dimensions(mm):13x13x4.0

RMS:0.7W

Max Power:1.0W

SPL(dB):88dB





1	Model No.	MS1313040-R08W0.7-A
2	Rated Impedance (ohm)	8±20%
3	Rated (Max.) Power (W)	0.7(1.0)
4	Resonant Frequency (Hz)	850±20%
5	Frequency Range (Hz)	fo~6000
6	SPL (dB)	88±3 at 1k,1.6k,2k,3.2kHz, 0.1m0.5W
7	Buzzer &Rattles	Must be normal at sine wave 2Vrms
8	Frame Material	LCP
9	Operating Temperature (°C)	-30~+85
10	Storage Temperature (°C)	-40~+105
11	Weight (g)	1.5
12	RoHS	Yes