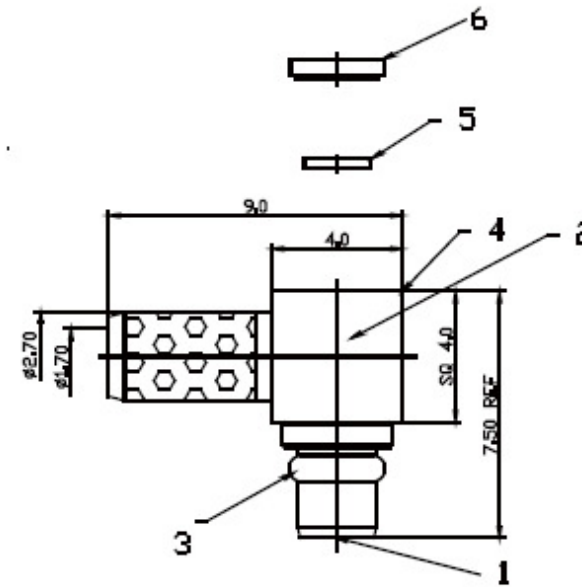
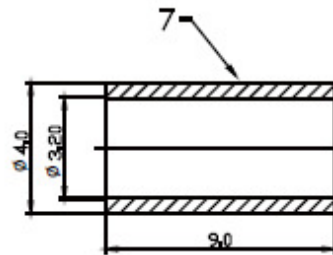


MCX & MMCX Conn. Series



Part No.: **MMCX002-M** **GW-L**
 5:50 Ω 7:75 Ω

7	FERRULE	BRASS	GOLD	1
6	COVER	BRASS	GOLD	1
5	INSULATOR	PDM		1
4	BODY	BRASS	GOLD	1
3	LINK LOCK	BRASS	GOLD	1
2	INSULATOR	TEFLON		1
1	CENTER CONTACT	BRASS	GOLD	1
NO	DESCRIPTION	MATERIAL	FINISH	QTY

IMPEDANCE	50 OHM
FREQUENCY	0-6.0 GHz
DIELECTRIC WITHSTANDING VOLTAGE	500 VRMS MIN
VOLTAGE RATING	170 VRMS MAX.
CONTACT RESISTANCE	INNER CONDUCTOR = 5.0 MILLIOHMS
	OUTER CONDUCTOR = 2.5 MILLIOHMS

TOPTTEK
 HARDWARE ELECTRONIC COMPONENTS



www.toptek-co.com