

CONNECTOR MANUFACTURERS



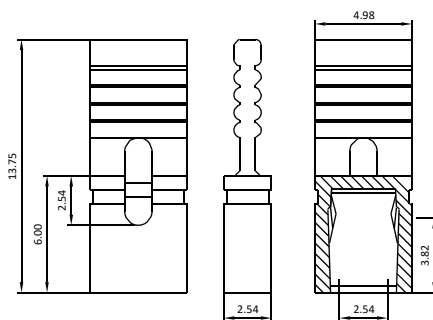
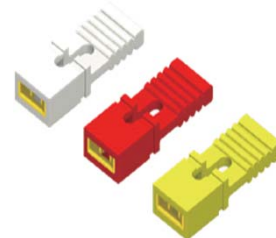
Mini Jumper 2.54mm

Specifications

Current Rate: 3 AMP
 Insulation Resistance: 1000MΩ Min.
 Contact Resistance: 20mΩ Max.
 Dielectric Voltage: 1000V AC for one minute
 Operation Temperature: -40°C to +105°C

Material

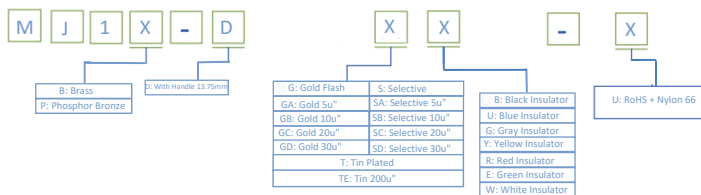
Insulator: Polyester, UL 94V-0
 © Standard: P.B.T or Nylon 66
 Terminal: Copper Alloy
 Standard Plating: Gold Flash



D Type

Part No.: MJ1X-DXX-L

ORDER INFORMATION



©: Standard Recommend