

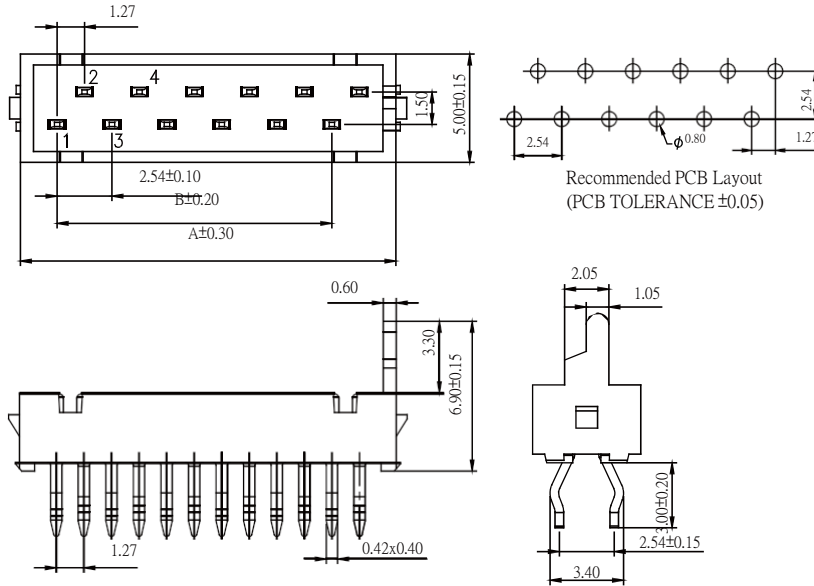
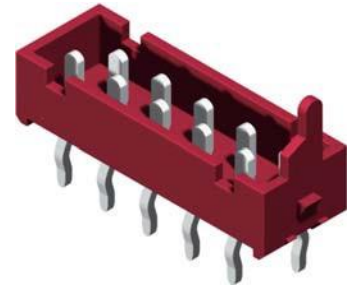
Mini Match Male Straight Type

Specifications

Current Rate: 1.0 AMP
Insulation Resistance: 100MΩ Min
Contact Resistance: 20mΩ Max
Dielectric Voltage: 500V AC for one minute
Operation Temperature: -40°C to +105°C

Material

Insulator: Polyester, UL 94V-0
©Standard: P.B.T
Terminal: Copper Alloy



No. of Contacts	Dim. A	Dim. B
4	7.20	2.54
6	9.74	5.08
8	12.28	7.62
10	14.82	10.16
12	17.36	12.70
14	19.90	15.24
16	22.44	17.78
18	24.98	20.32
20	27.52	22.86

Part No.: MIMS-MXX-L

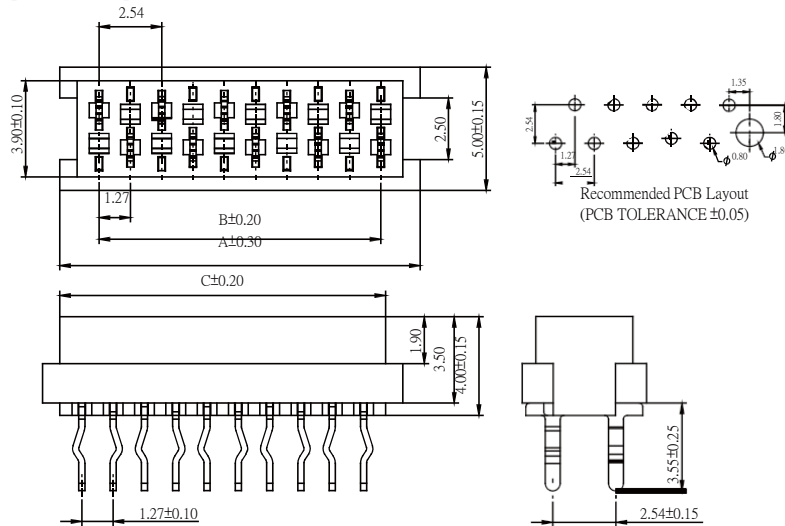
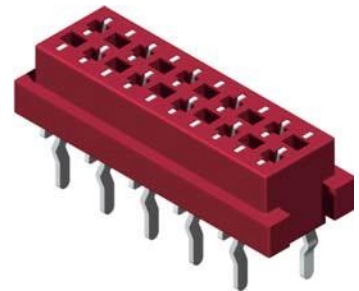
Mini Match Female Straight Type

Specifications

Current Rate: 1 AMP
Insulation Resistance: 100MΩ Min
Contact Resistance: 20mΩ Max
Dielectric Voltage: 500V AC for one minute
Operation Temperature: -40°C to +105°C

Material

Insulator: Polyester, UL 94V-0
©Standard: Nylon 46
Terminal: Copper Alloy



No. of Contacts	Dim. A	Dim. B	Dim. C
4	7.00	3.81	5.60
6	9.54	6.35	8.14
8	12.08	8.89	10.68
10	14.62	11.43	13.22
12	17.16	13.97	15.76
14	19.70	16.51	18.30
16	22.24	19.05	20.84
18	24.78	21.59	23.38
20	27.32	24.13	25.92

Part No.: MIMS-XX-U

