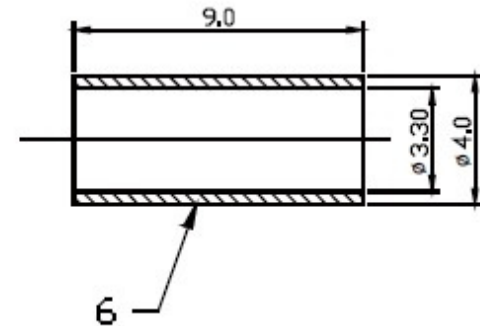
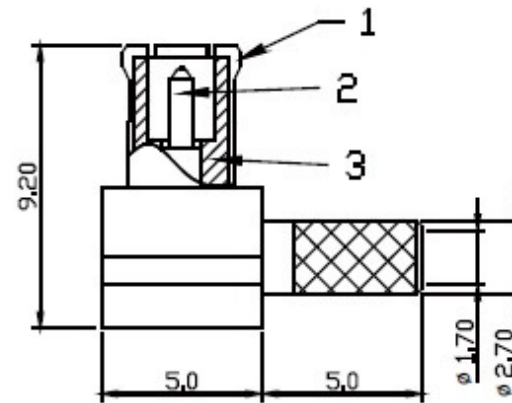
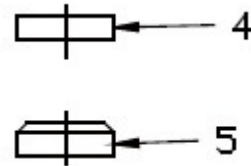


# MCX Conn. Series



Part No.: MCX002-M  GW-L  
 5:50 Ω 7:75 Ω



NO	DESCRIPTION	MATERIAL	FINISH	QTY
6	FERRULE	BRASS	GOLD	1
5	COVER	BRASS	GOLD	1
4	INSULATOR	TEFLON		1
3	INSULATOR	TEFLON		1
2	CENTER CONTACT	BRASS	GOLD	1
1	BODY	BRASS	GOLD	1

IMPEDANCE	50 OHM
FREQUENCY	0-6.0 GHz
DIELECTRIC WITHSTANDING VOLTAGE	1000 VRMS MIN
WORKING VOLTAGE	335 VRMS MAX.
INSULATION RESISTANCE	1000 MEGOHMS MIN
CONTACT RESISTANCE	INNER CONDUCTOR = 5.0 MILLIOHMS
	OUTER CONDUCTOR = 2.5 MILLIOHMS

**TOPTEK**  
 HARDWARE ELECTRONIC COMPONENTS



www.toptek-co.com