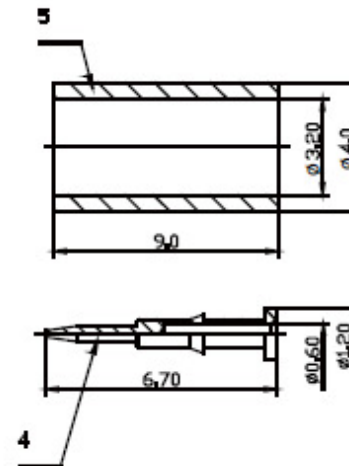
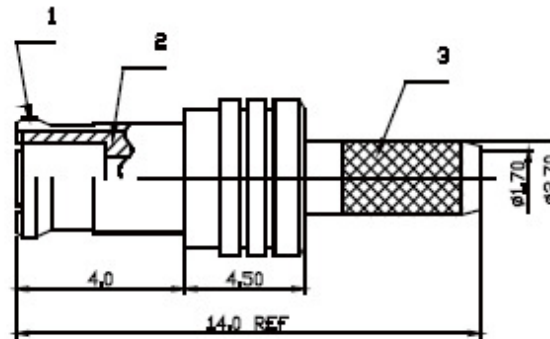


MCX Conn. Series



Part No.: MCX001-M GW-L
5:50 Ω 7:75 Ω



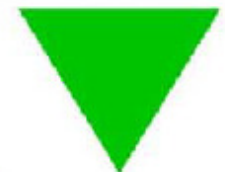
RoHS
2002/95/EC



NO	DESCRIPTION	MATERIAL	FINISH	QTY
5	FERRULE	BRASS	GOLD	1
4	CONTACT MALE	BRASS	GOLD	1
3	BODY	BRASS	GOLD	1
2	INSULATOR	TEFLON		1
1	BODY	BRASS	GOLD	1

IMPEDANCE	50 OHM
FREQUENCY	0-6.0 GHz
DIELECTRIC WITHSTANDING VOLTAGE	1000 VRMS MIN
WORKING VOLTAGE	335 VRMS MAX.
INSULATION RESISTANCE	1000 MEGOHMS MIN
CONTACT RESISTANCE	= 5.0 MILLIOHMS
	= 2.5 MILLIOHMS

TOPTEK
HARDWARE ELECTRONIC COMPONENTS



www.toptek-co.com