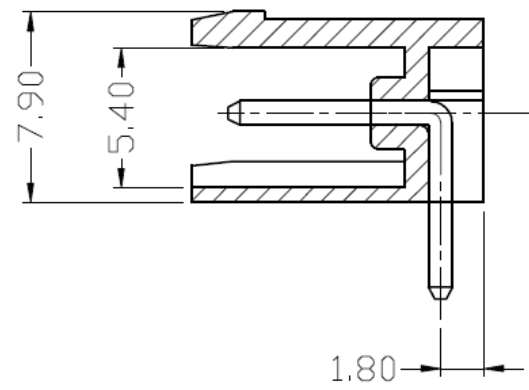
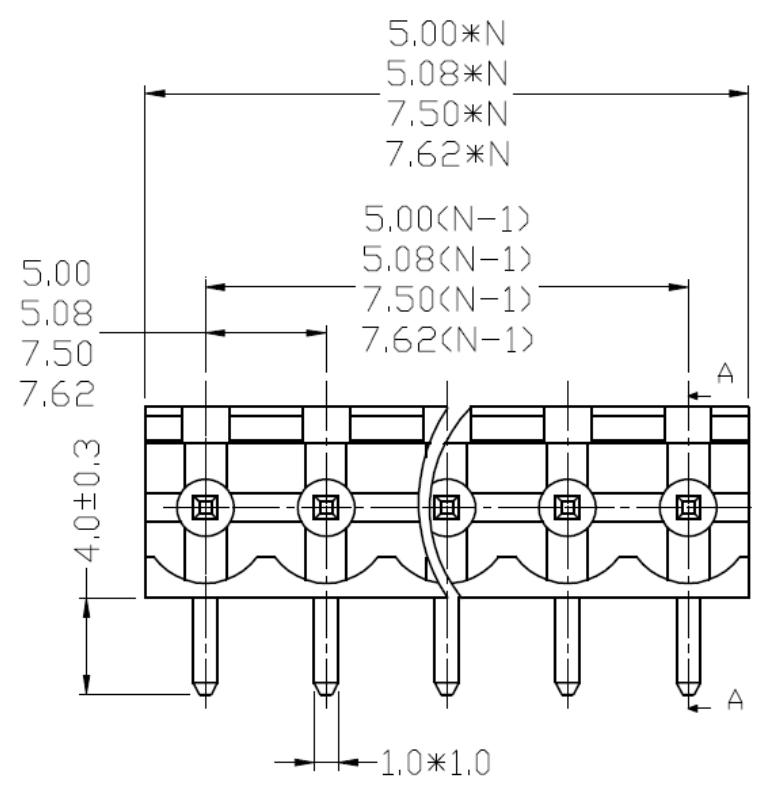
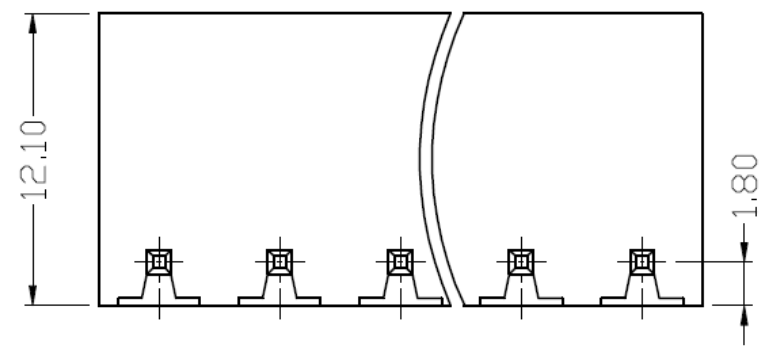


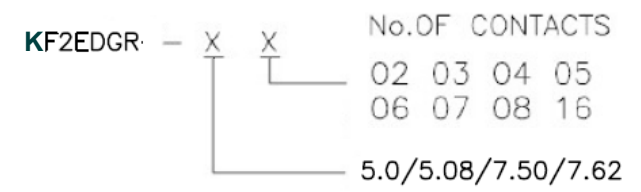
REV.	DESCRIPTION	DRAWN	CHECKED	APPROVED



- MATERIAL
PIN HEADER : BRASS, TIN PLATED
HOUSING : PA66, UL94V-0
- ELECTRICAL
RATED VOLTAGE : 300V
RATED CURRENT : 12A
CONTACT RESISTANCE : 20mΩ
INSULATION RESISTANCE : 5000MΩ/1000V
WITHSTANDING VOLTAGE : AC1500V/1Min
- MECHANICAL
TEMP. RANGE : -40℃~+105℃
MAX SOLDERING : +250℃, FOR 5 SEC.



PRODUCT NUMBER CODE:



GENERAL TOLERANCE		ANGLE TOLERANCE		PROJECTION		TITLE	
X.	±0.20	X.	±2°	UNITS	mm	KF2EDGR-5.0/5.08/7.50/7.62	
.X	±0.15	.X	±1°	SHEET SIZE	A4	SERIES	F2EDGR SERIES
.XX	±0.10	.XX	±0.5°	www.toptek-co.com			
DRAWING TYPE		COMPONENTS					
SCALE	1:1	SHEET	1 OF 1				
DRAWING NO.		F2EDGR					