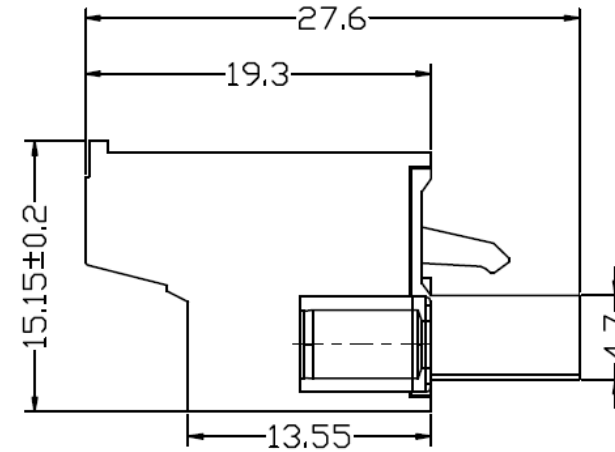
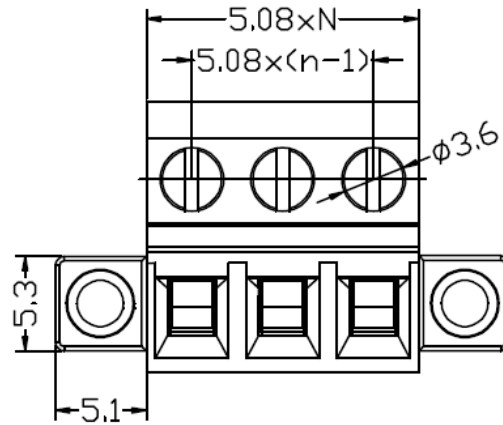
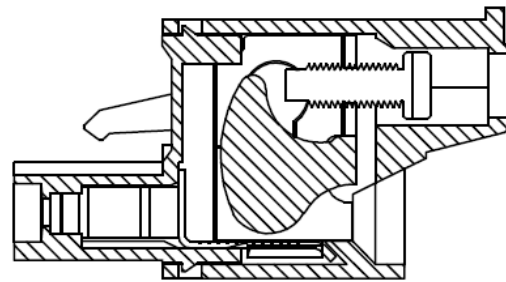


REV.	DESCRIPTION	DRAWN	CHECKED	APPROVED



- Material
Screws:M2.5 Steel Zinc plated
Contact:Phosphor bronze
Housing:PA66, UL94V-0
- Electrical
Rated voltage:300V
Rated current:15A
Contact resistance:20mΩ
Insulation resistance:5000MΩ/1000V
Withstanding voltage:AC2000V/1Min
Wire range:28-12AWG 2.5mm²
- Mechanical
Temp.range : -40℃ ~ +105℃
Torque : 0.4Nm(3.6lb.in)
Strip lebgtg : 7-8mm

PRODUCT NUMBER CODE:

KF203M

- X X



No.OF CONTACTS
02 03 08 16

PITCH5.08MM

SERIES No.
F203M

Disponibili con passo : 5.00, 7.5, 7.62MM

GENERAL TOLERANCE		ANGLE TOLERANCE	
X	±0.20	X	±2°
X	±0.10	X	±1°
.XX	±0.05	.XX	±0.5°
DRAWING TYPE		SCALE	
SCALE		1:1	SHEET 1 OF 1
DRAWING NO.		DRAWING NO.	

PROJECTION	TITLE	EURO TERMINAL BLOCKS	
UNITS	mm	PITCH5.08MM	
SHEET SIZE	A4	SERIES	KF203M SERIES
 www.toptek-co.com			
		www.toptek-co.com	