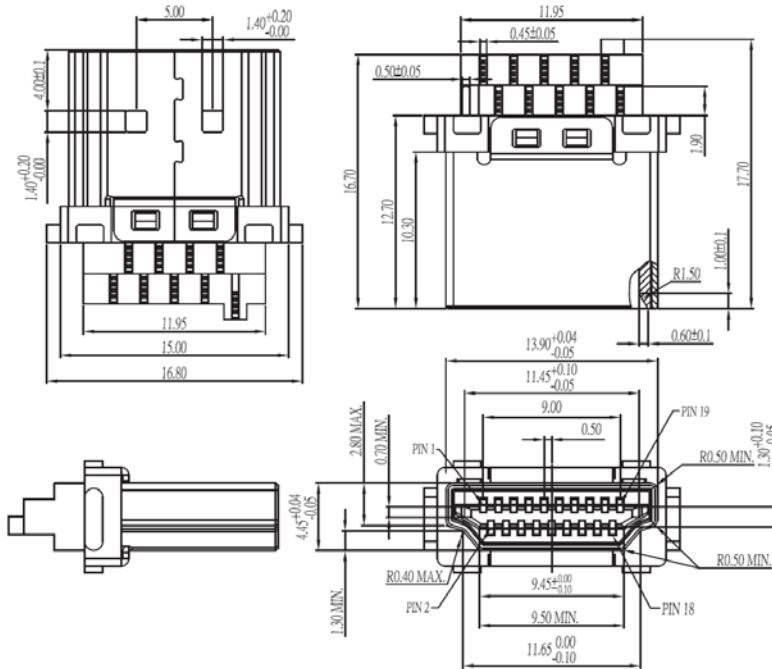


## HDMI Male Solder 19 Pin

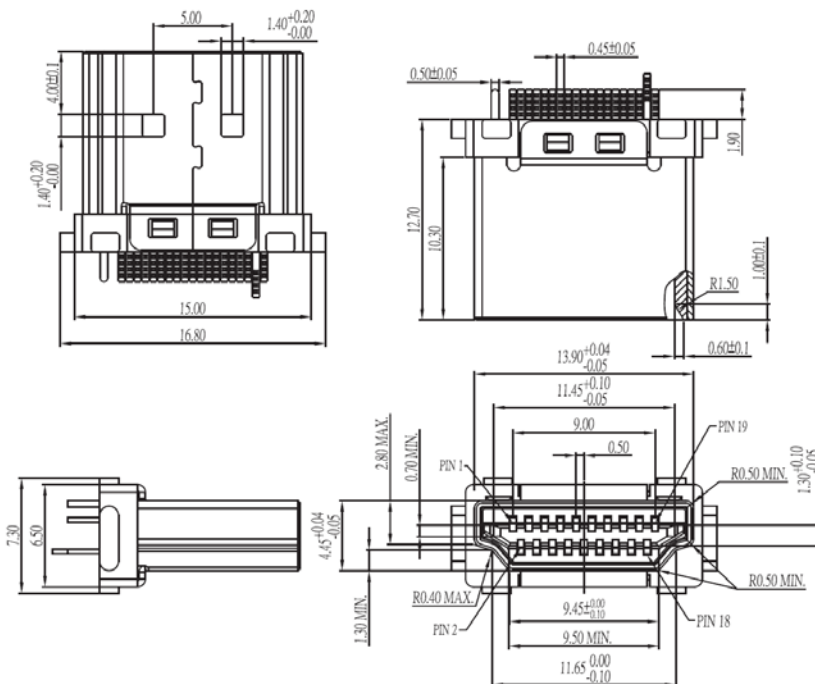


- Material:**
- 1.1 Housing: Thermoplastic UL94V-0 color: black
  - 1.2 Contact: Phosphor bronze T=0.30mm.
  - 1.3 Shell: Copper alloy T=0.40mm.
  - 1.4 Spacer Thermoplastic UL94V-0 color: black
- Specification:**
- 2.1 Current rating: 0.5 A Max.
  - 2.2 Voltage rating: 40 V ac(rms) Max.
  - 2.3 Contact resistance: 50 mΩ Max.
  - 2.4 Dielectric withstanding voltage: 100 V(ac) for 1 min.
  - 2.5 Insulation resistance: 1000 MΩ Min.
  - 2.6 Operation temperature range: -25°C~85°C

**Part No.: HDMI-M19 SB B N 1-U**

Selective 10u" Nickel Shell

## HDMI Male Solder 19 Pin



- Material:**
- 1.1 Housing: Thermoplastic UL94V-0 color: black
  - 1.2 Contact: Phosphor bronze T=0.30mm.
  - 1.3 Shell: Copper alloy T=0.40mm.
  - 1.4 Spacer Thermoplastic UL94V-0 color: black
- Specification:**
- 2.1 Current rating: 0.5 A Max.
  - 2.2 Voltage rating: 40 V ac(rms) Max.
  - 2.3 Contact resistance: 50 mΩ Max.
  - 2.4 Dielectric withstanding voltage: 100 V(ac) for 1 min.
  - 2.5 Insulation resistance: 1000 MΩ Min.
  - 2.6 Operation temperature range: -25°C~85°C

**Part No.: HDMI-M19 SB B N 2-U**

Selective 10u" Nickel Shell