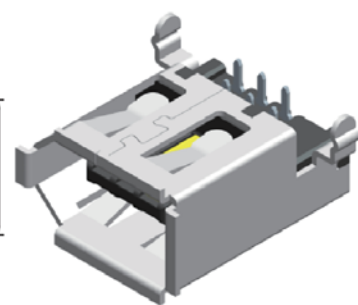
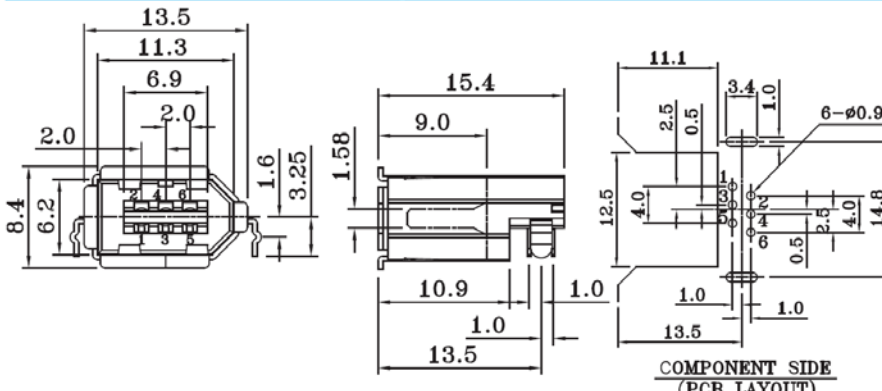




IEEE1394 Female Dip 90° 6P

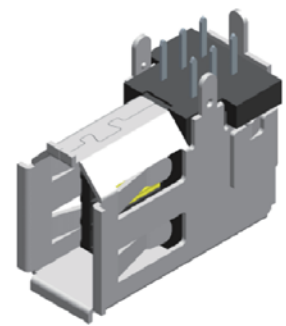
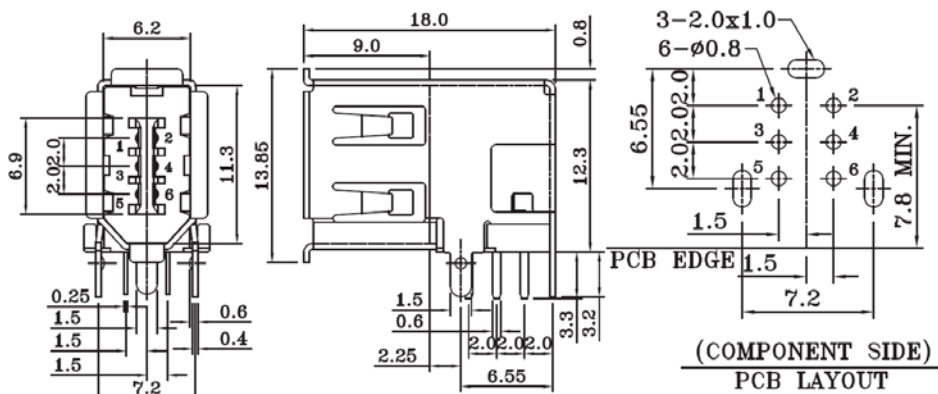


COMPONENT SIDE
(PCB LAYOUT)

No.	Name	Qty	Material	Remarks & Thickness	Finish
1	Housing	1	Nylon 9T G.F		Black
2	Pin Terminal	6	Brass T=0.25	Gold:30u"; Ni:40-60u"; TIN:120u" (100% pure Tin of lead free plating)	Gold/Tin Plated
3	Shell	1	Brass T=0.4		Nickel Plated

Part No.:IEEE-1394RA-6-L

IEEE1394 Female Upright 90° 6P

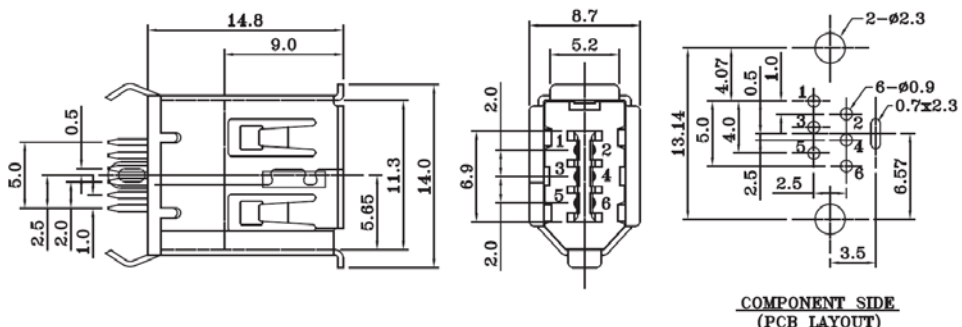


(COMPONENT SIDE)
PCB LAYOUT

No.	Name	Qty	Material	Remarks & Thickness	Finish
1	Housing	1	PBT		Black
2	Pin Terminal	6	Brass T=0.25	Gold:30u"; Ni:40-60u"; TIN:120u" (100% pure Tin of lead free plating)	Gold/Tin Plated
3	Shell	1	Brass T=0.4		Nickel Plated
4	Bottom Cover	1	PBT		Black

Part No.:IEEE-1394U-6-L

IEEE1394 Female Dip 180° 6P



COMPONENT SIDE
(PCB LAYOUT)

No.	Name	Qty	Material	Remarks & Thickness	Finish
1	Housing	1	PBT		Black
2	Pin Terminal	6	Brass T=0.25	Gold:30u"; Ni:40-60u"; TIN:120u" (100% pure Tin of lead free plating)	Gold/Tin Plated
3	Shell	1	Brass T=0.4		Nickel Plated
4	Bottom Cover	1	PBT		Black

Part No.:IEEE-1394S-6-L