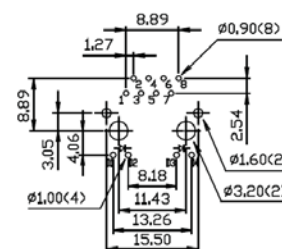
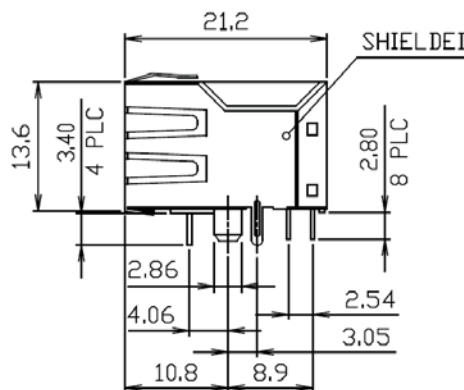
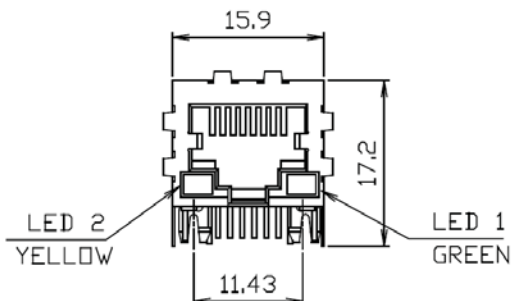


## Modular Jack Shielded Side Entry With LED H=13.6 W=21.2

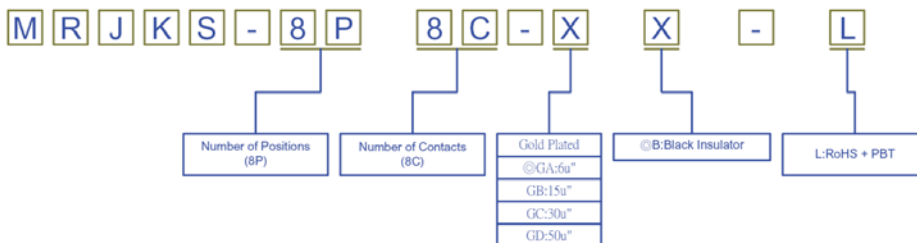
Material & Finish:

Housing: Glass Fiber, PBT. UL94V-0  
 Contact: 0.35 mm Thickness Phosphor Bronze,  
 Gold Plated Over Nickel on Contact Area,  
 Tin Plated Over Nickel on Solder Area.



Recommended PCB Layout  
 (PCB TOLERANCE  $\pm 0.05$ )

### Order Information

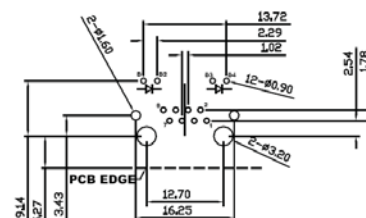
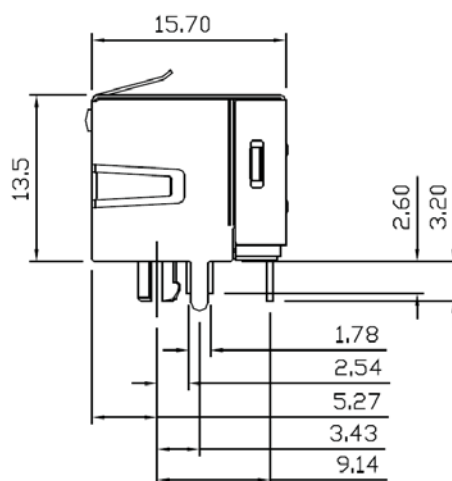
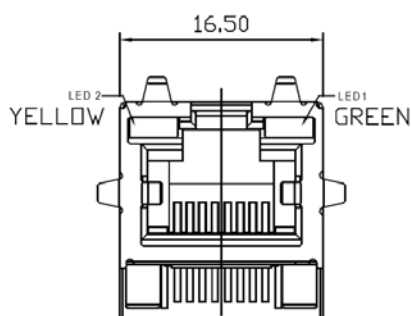
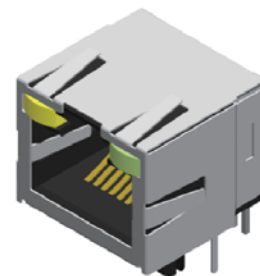


©: Standard Recommend

## Modular Jack Shielded Side Entry With LED H=13.5 W=15.7

Material & Finish:

Housing: Glass Fiber, PBT. UL94V-0  
 Contact: 0.35 mm Thickness Phosphor Bronze,  
 Gold Plated Over Nickel on Contact Area,  
 Tin Plated Over Nickel on Solder Area.



Recommended PCB Layout  
 (PCB TOLERANCE  $\pm 0.05$ )

### Order Information

