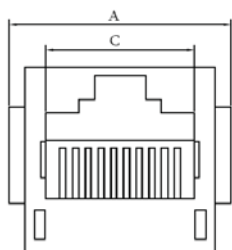


Modular Jack Top Entry H=12.7 W=15.0

Material & Finish:

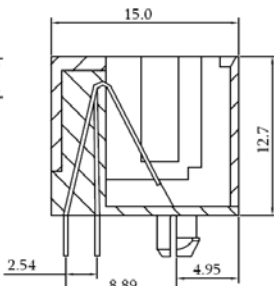
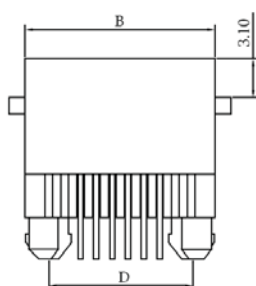
Housing: Glass Fiber, PBT, UL94V-0, Black
 Contact: 0.35 mm Thickness Phosphor Bronze,
 Gold Plating over Nickel on Contacts Area,
 Tin Plating over Nickel on Solder Area.



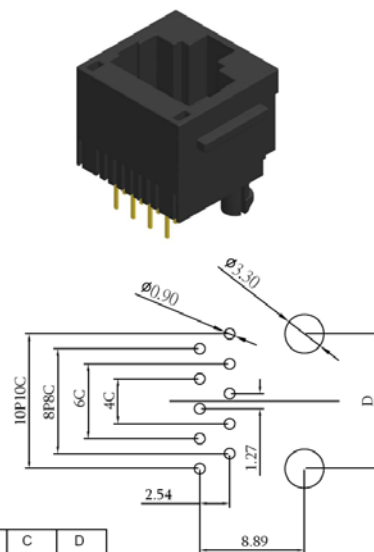
K- Keyway
(8P, 10P Only)



D- Offset Latch
(6P Only)



Positions	Contacts	A	B	C	D
4P	4C	14.00	11.20	7.90	7.62
6P	2C/4C/6C	16.00	13.20	9.90	10.16
(8P)6P	2C/4C/6C	18.00	15.20	9.90	11.43
8P	4C/6C/8C	18.00	15.20	11.90	11.43
10P	10C	18.00	15.20	11.90	11.43



Recommended PCB Layout
(PCB TOLERANCE ±0.05)

Order Information

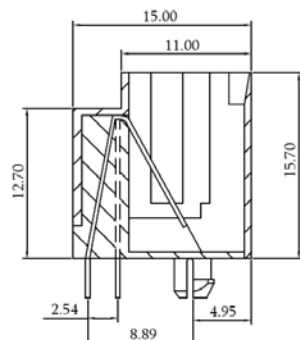
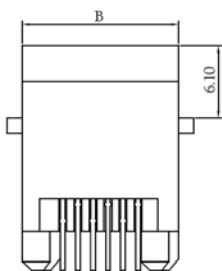
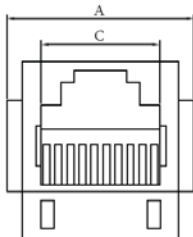
2 6 4 X - X P X C - X B X - L

- N: Without Ear
E: With Ear
- Number of Positions (4P, 6P, 8P, 10P)
- Number of Contacts (2C, 4C, 6C, 8C, 10C)
- Gold Plated
 - GA: Gold 6u*
 - GB: Gold 15u*
 - GC: Gold 30u*
 - GD: Gold 50u*
- B: Black Insulator
- K: With Keyway (8P, 10P Only)
D: Offset Latch (6P Only)
- L: RoHS + PBT

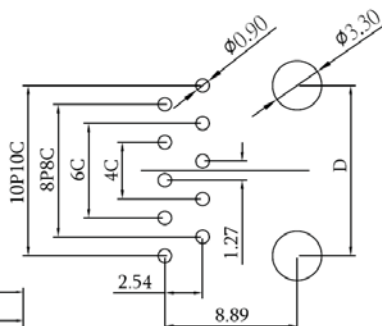
Modular Jack Top Entry H=15.7 W=15.0

Material & Finish:

Housing: Glass Fiber, PBT, UL94V-0, Black
 Contact: 0.35 mm Thickness Phosphor Bronze,
 Gold Plating over Nickel on Contacts Area,
 Tin Plating over Nickel on Solder Area.



Positions	Contacts	A	B	C	D
4P	4C	13.80	11.20	7.90	7.62
6P	2C/4C/6C	15.80	13.20	10.00	10.16
(8P)6P	2C/4C/6C	18.00	15.20	10.00	11.43
8P	8C	18.00	15.20	11.80	11.43
10P	10C	18.00	15.20	11.80	11.43



Recommended PCB Layout
(PCB TOLERANCE ±0.05)

Order Information

2 6 6 X - X P X C - X B - L

- N: Without Ear
E: With Ear
- Number of Positions (4P, 6P, 8P, 10P)
- Number of Contacts (2C, 4C, 6C, 8C, 10C)
- Gold Plated
 - GA: Gold 6u*
 - GB: Gold 15u*
 - GC: Gold 30u*
 - GD: Gold 50u*
- B: Black Insulator
- L: RoHS + PBT