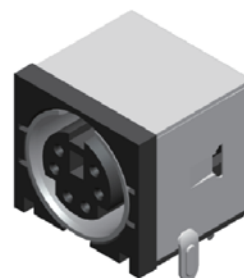
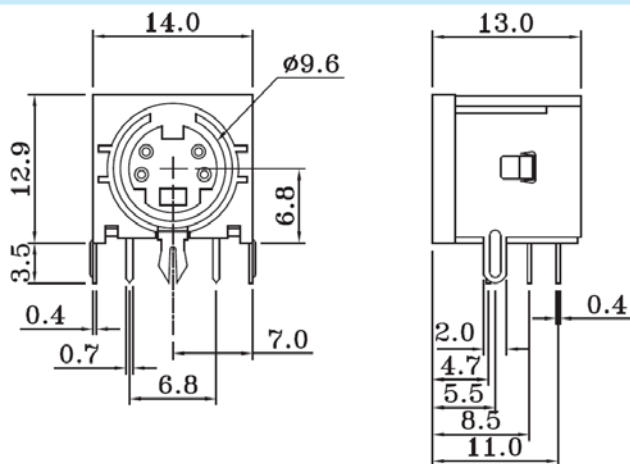


Mini Din Jack Side Shielded Fork Type 3~9Pin



Part No.: MDJ-508D-□A-L
3~9 PORTS

No.	Name	Q'ty	Material	Remarks & Thickness	Finish
1	Housing	1	PBT		Black
2	Contact	3~9	Phos. Bronze	Ni-1-5u / Tin:3u Gold:1-3u*	Gold/Tin Plated
3	Ground	1	Brass	Tin:3-5u	Tin Plated
4	Back Cover	1	PBT		Black
5	Shield	1	Mild Steel	Tin:3-5u	Tin Plated

Add Shell Part No.	3 Port MDJ-508D-3A-L	4 Port MDJ-508D-4A-L	5 Port MDJ-508D-5A-L	6 Port MDJ-508D-6A-L
Housing Contacts				
Recommended PCB Layout Bottom View				
Add Shell Part No.	7 Port MDJ-508D-7A-L	8 Port MDJ-508D-8A-L	9 Port MDJ-508D-9A-L	
Housing Contacts				
Recommended PCB Layout Bottom View				