

CONNECTORS MANUFACTURER

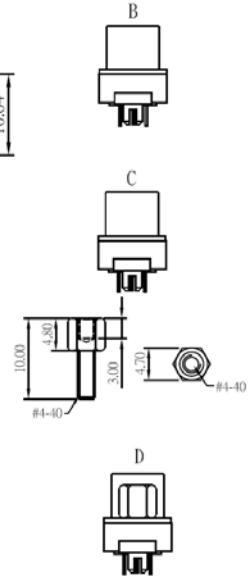
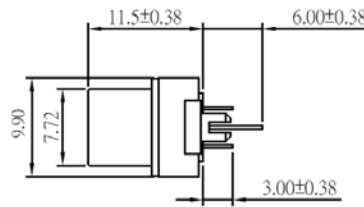
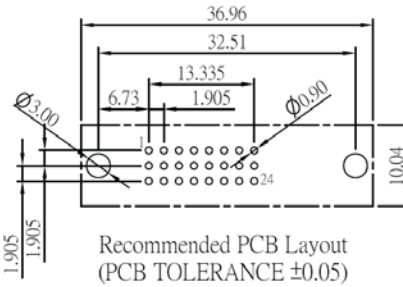
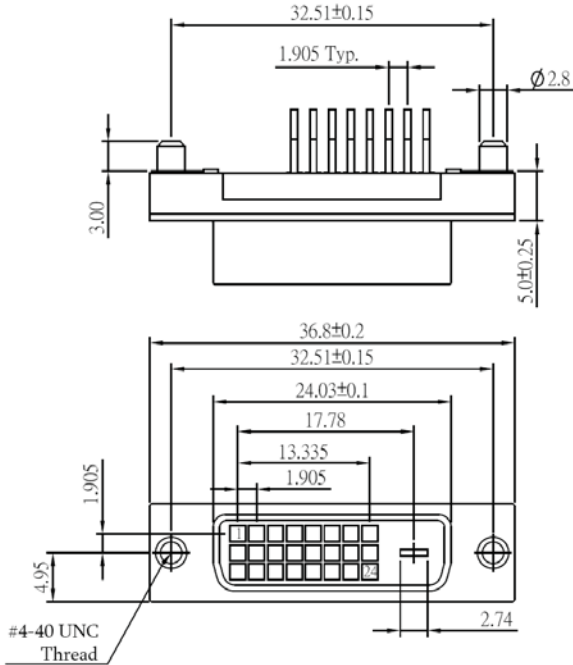
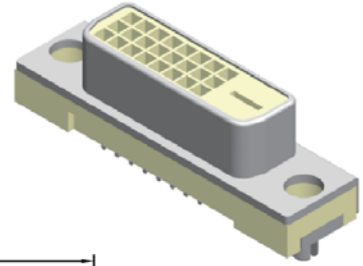
DVI Female Solder Type 24Pin

SPECIFICATION

Current Rate:1 AMP
 Insulation Resistance:1000MΩ Min.
 Contact Resistance:30mΩ Max.
 Dielectric Voltage:250V AC for one minute
 Operation Temperature:-55°C to +85°C

MATERIAL

Insulator:Polyester,UL 94V-0
 ©Standard:Nylon 66
 Contact Pin:Copper Alloy
 Contact Plating:Selective



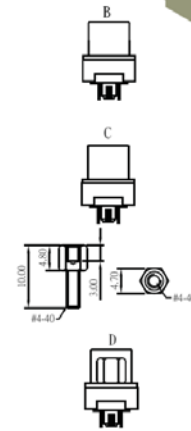
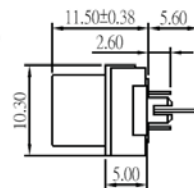
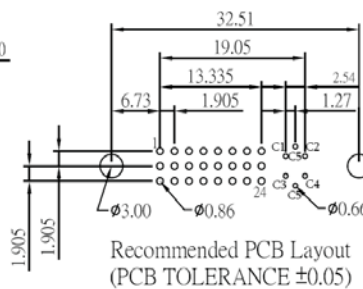
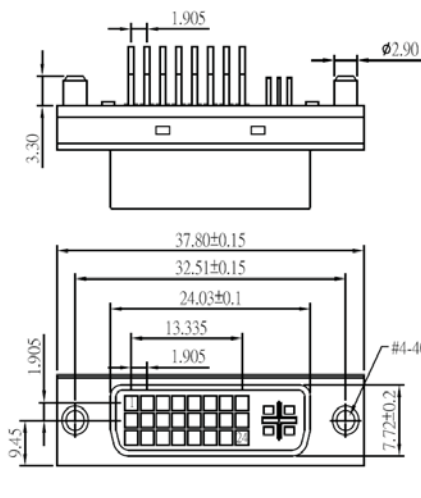
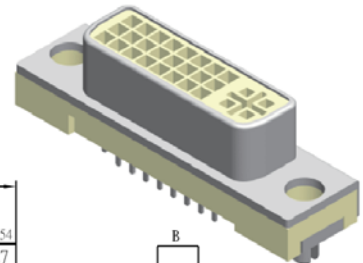
DVI Female Solder Type 29Pin

SPECIFICATION

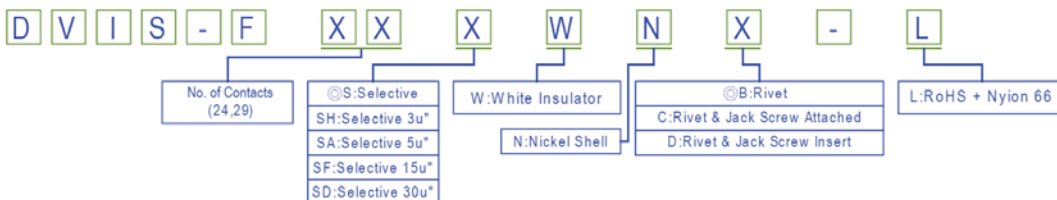
Current Rate:1 AMP
 Insulation Resistance:1000MΩ Min.
 Contact Resistance:30mΩ Max.
 Dielectric Voltage:250V AC for one minute
 Operation Temperature:-55°C to +85°C

MATERIAL

Insulator:Polyester,UL 94V-0
 ©Standard:Nylon 66
 Contact Pin:Copper Alloy
 Contact Plating:Selective



ORDER INFORMATION



DVI Conn. Series

RoHS