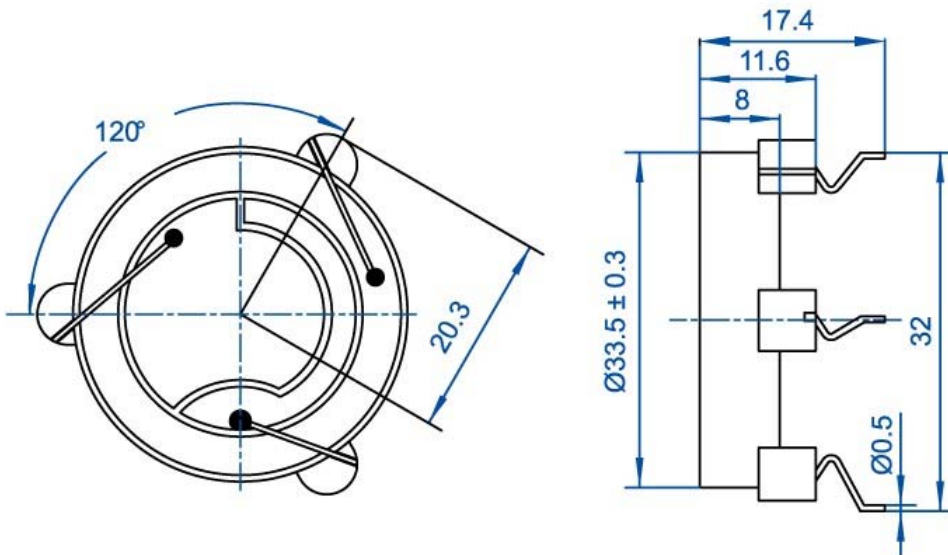


MODEL NO.:F3380
Dimensions(mm):33.5x8.0
Operating Voltage(VDC): 3~20
Resonant Freq.(Hz):2600
SPL(dB):85min at 10cm



	Model	F3380-TA-12-2.6-R
2	Rated Voltage (VDC)	12
3	Operating Voltage (VDC)	3~20

4	*Rated Current (mA)	≤12
5	*Sound Output at 10 cm (dB)	≥85
6	*Resonant Frequency (Hz)	2600±500
7	Operating Temperature (°C)	-20~+65
8	Weight (g)	1.8
9	Housing Material	ABS
10	RoHS	Yes
