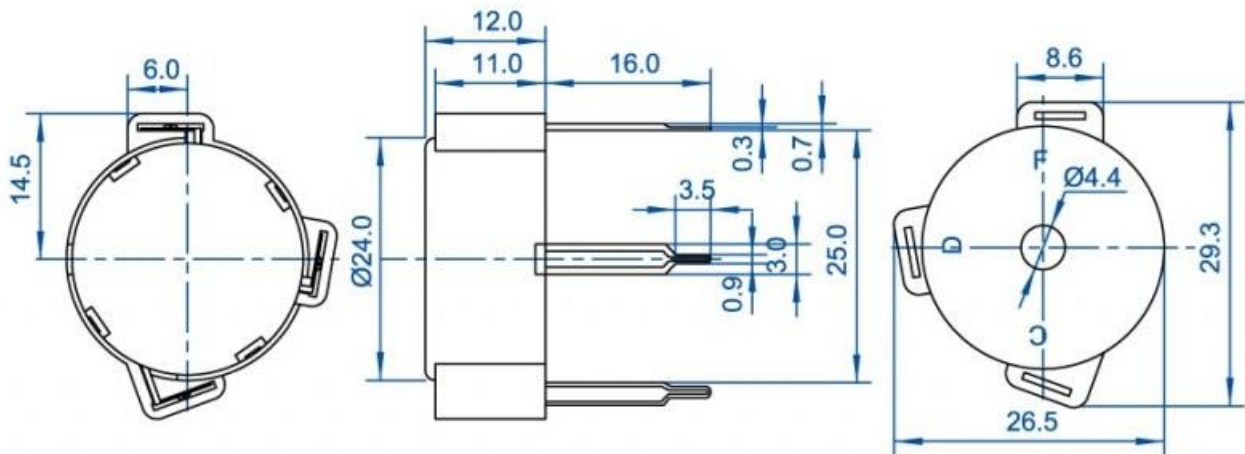


F2412B

MODEL NO.:F2412B
Dimensions(mm):24.0x12.0
Operating Voltage(VDC): 3~20
Resonant Freq.(Hz):3500
SPL(dB):90min at 10cm



1	Model No.	F2412B-HA-12-3.5-R
2	Rated Voltage (VDC)	12
3	Operating Voltage (VDC)	3~20
4	*Rated Current (mA)	≦12
5	*Sound Output at 10 cm (dB)	≧90
6	*Resonant Frequency (Hz)	3500 ± 500
7	Operating Temperature (°C)	-20 ~ +70
8	Storage Temperature (°C)	-30 ~ +80
9	Weight (g)	3.5
10	Case material and colour	ABS/Black
11	RoHS	Yes