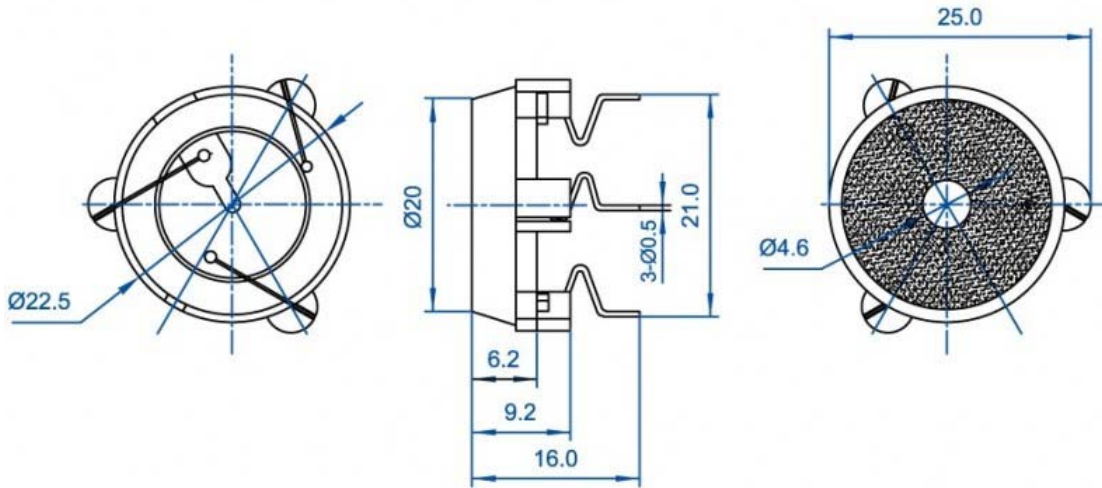




MODEL NO.:F2260B  
Dimensions(mm):22.5x9.2  
Operating Voltage(VDC): 3~20  
Resonant Freq.(Hz):3600  
SPL(dB):85min at 30cm



Model	Model	F2260B-TO-12-3.6-R
2	Rated Voltage (VDC)	12
3	Operating Voltage (VDC)	3~20
4	*Sound Output at 30cm (dB)	≥85
5	*Oscillating frequency (Hz)	3600±500
6	*Current Consumption (mA)	≤12
7	Operating Temperature (°C)	-20~+60
8	Storage Temperature (°C)	-20~+60
9	Weight (g)	1.8
10	Housing Material	PPO
11	RoHS	Yes