

# CONNECTOR MANUFACTURERS

TOPTEK®  
CONNECTOR MANUFACTURERS



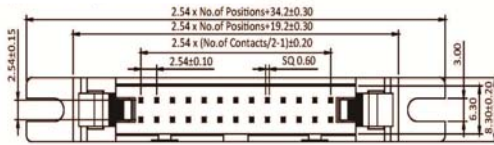
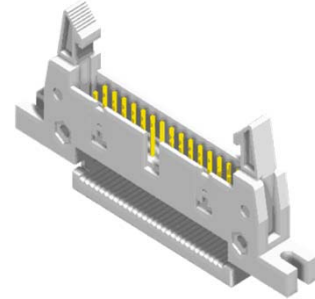
## Ejector Header 2.54mm IDC Type

### Specifications

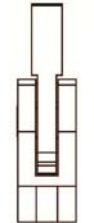
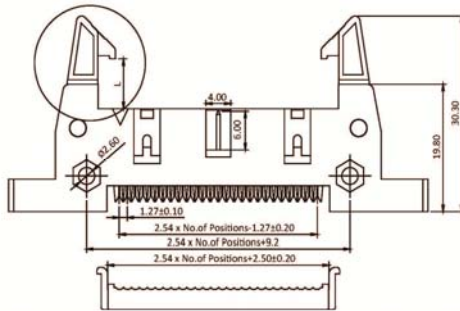
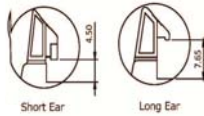
Current Rate: 3 AMP  
 Insulation Resistance: 1000MΩ Min.  
 Contact Resistance: 20mΩ Max.  
 Dielectric Voltage: 1000V AC for one minute  
 Operation Temperature: -40°C to +105°C

### Material

Insulator: Polyester, UL 94V-0  
 © Standard: PBT  
 Terminal: Copper Alloy  
 Plating: Gold Plated

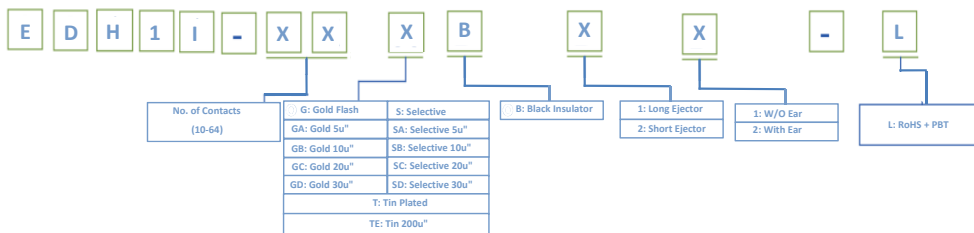


Recommended PCB Layout  
(PCB TOLERANCE ±0.05)



Part No.: EDH11-XX-L

## ORDER INFORMATION



©: Standard Recommend

Ejector Header 2.54 mm



ROHS