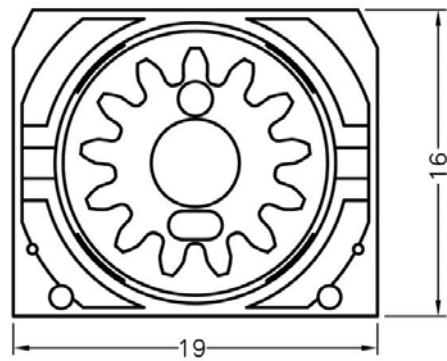
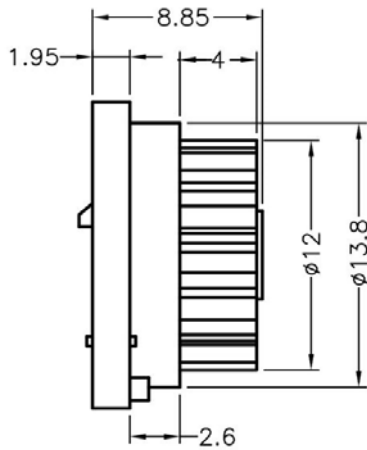


DAMPER GEAR  
 DP009A



NOTE: MODULE: 0.8  
 PITCH CIRCLE DIAMETER:  $\phi 10.4$   
 TOOTH NUMBER: 13  
 PRESSURE ANGLE:  $20^\circ$



PART NO	PACKAGE
DP009A	500

MATERIAL 1 : NYLON 66(UL)  
 FLAME CLASS 1 : 94V-2  
 COLOR 1 : BLACK  
 MATERIAL 2 : POM(UL)  
 UNIT : mm