

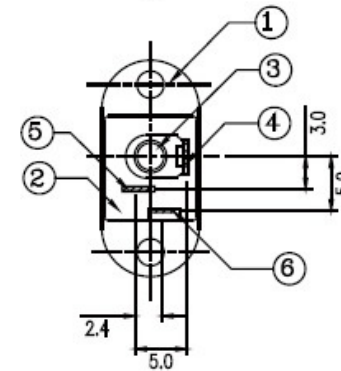
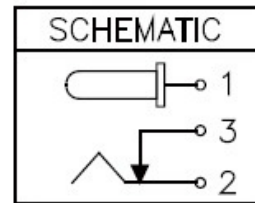
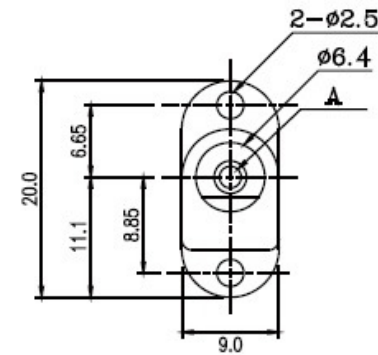
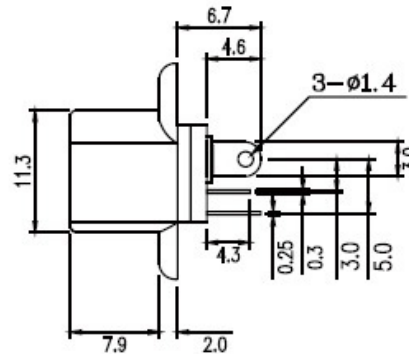


DC Jack Conn.



Part No.: DCJ   **D-0015TB-L**
 20: $\phi 2.0$
 25: $\phi 2.5$



Recommended PCB Layout
 (PCB TOLERANCE ± 0.05)

NO.	NAME	MATERIAL	FINISH	Q'TY
1	HOUSING	P.B.T	BLACK	1
2	COVER	BAKELITE		1
3	PIN TERM.	BRASS 0.4THK	TIN PLATED	1
4	BREAK TERM.	BRASS	TIN PLATED	1
5	BREAK TERM.	PHOS. BORNZE T:0.25	TIN PLATED	1
6	CENTER PIN	COPPER ALLOY	NICKEL PLATED	1

TOPTEK
 HARDWARE ELECTRONIC COMPONENTS



www.toptek-co.com