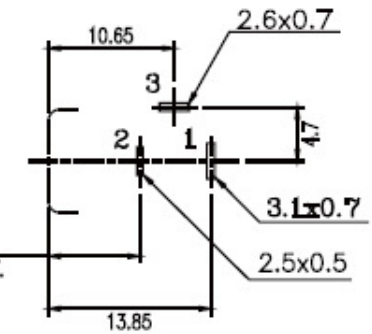
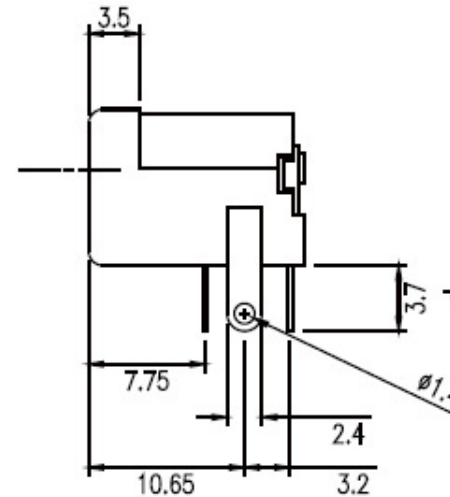
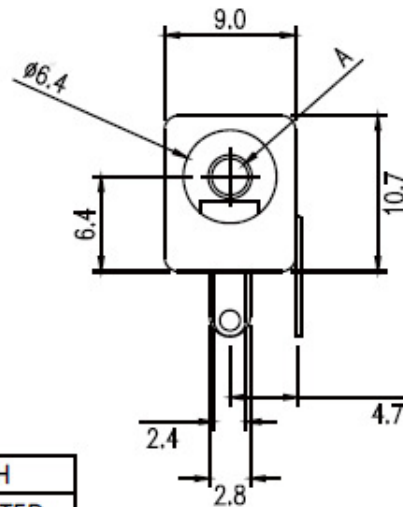
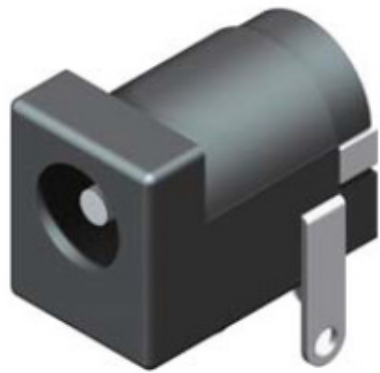
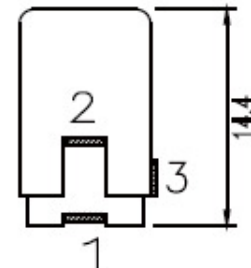


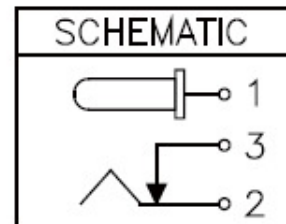
DC Jack Conn.



Recommended PCB Layout
(PCB TOLERANCE ± 0.05)



TERMINAL NUMBERS



TOPTEK
HARDWARE ELECTRONIC COMPONENTS



www.toptek-co.com

Part No.: DCJ -0014TB-L
 20: $\phi 2.0$
 25: $\phi 2.5$

NO.	NAME	MATERIAL	FINISH
1	PIN TERM.	BRASS 0.4THK	TIN PLATED
2	SLEEVE TERM.	P.B.S 0.25THK	TIN PLATED
3	BREAK TERM.	BRASS 0.4THK	TIN PLATED
4	HOUSING	P.B.T	BLACK
5	CENTER PIN	BRASS $\phi 0.26$	NICKEL PLATED