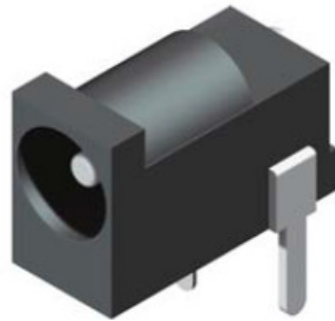
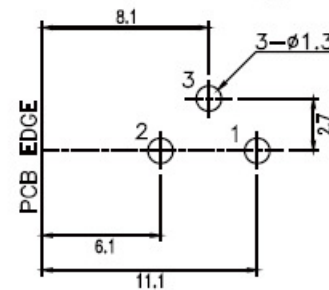
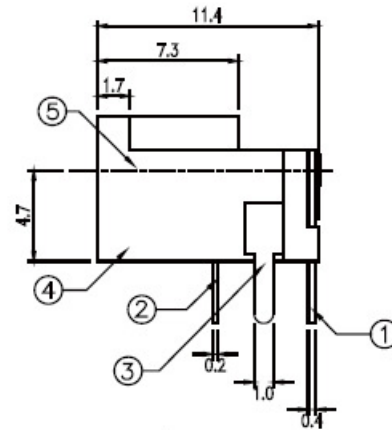
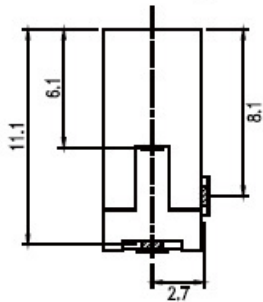
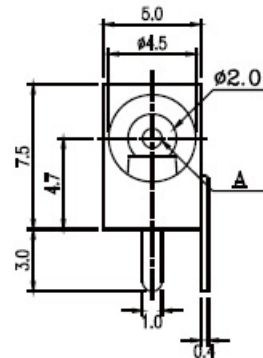


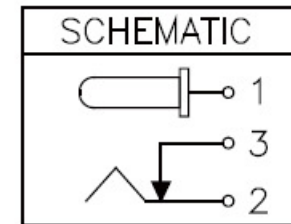
DC Jack Conn.



Part No.: DCJ -0011TB-L
 10: $\phi 1.0$
 13: $\phi 1.3$



Recommended PCB Layout
 (PCB TOLERANCE ± 0.05)



NO.	NAME	MATERIAL	FINISH	Q'TY
1	PIN TERM.	BRASS	TIN PLATED	1
2	SLEEVE TERM.	P.B.S	TIN PALTED	1
3	BREAK TERM.	BRASS	TIN PLATED	1
4	HOUSING	P.B.T	BLACK	1
5	CENTER PIN	BRASS	NICKEL PLATED	1

TOPTEK
 HARDWARE ELECTRONIC COMPONENTS



www.toptek-co.com