

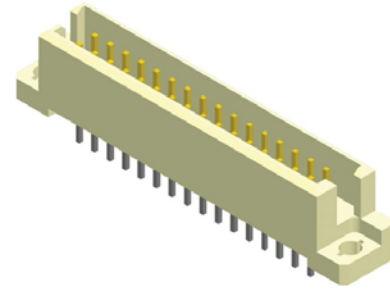
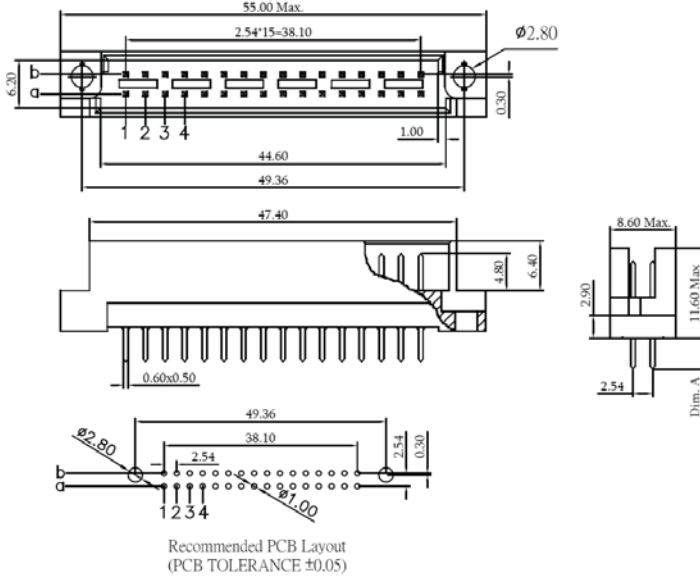
DIN 41612 Short Body Q Type Male

SPECIFICATION

Current Rate: 2 AMP
 Insulation Resistance: 1000MΩ Min.
 Contact Resistance: 30mΩ Max.
 Dielectric Voltage: 1000V AC for one minute
 Operation Temperature: -55°C to +105°C

MATERIAL

Insulator: Polyester, UL 94V-0
 ©Standard: PBT
 Contact Pin: Brass



No. of Contacts	Rows/Positions With Contact	Pitch
32	a+b	2.54mm
16	a	
16	a+b All Even No.	5.08mm Half-Loaded

Part No.: *DINSS-M2XX-L*

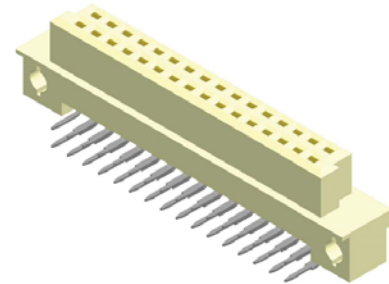
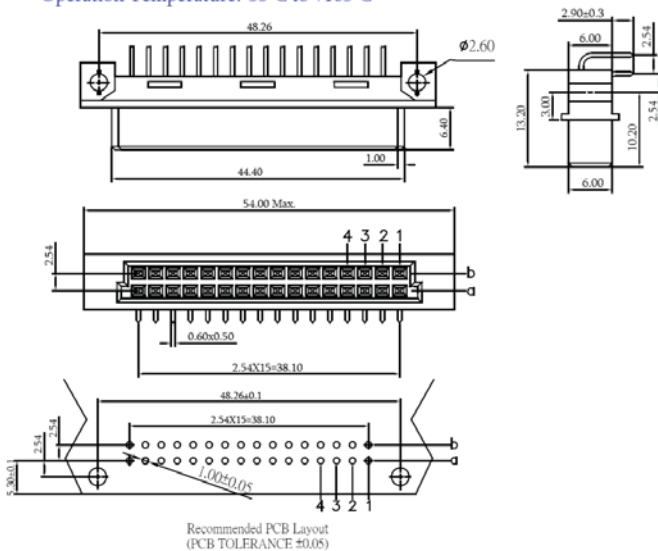
DIN 41612 Short Body Q Type Female

SPECIFICATION

Current Rate: 2 AMP
 Insulation Resistance: 1000MΩ Min.
 Contact Resistance: 30mΩ Max.
 Dielectric Voltage: 1000V AC for one minute
 Operation Temperature: -55°C to +105°C

MATERIAL

Insulator: Polyester, UL 94V-0
 ©Standard: PBT
 Contact Pin: Phosphor Bronze



No. of Contacts	Rows/Positions With Contacts	Pitch
32	a+b	2.54mm
16	a	
16	a+b All Even No.	5.08mm Half-Loaded

Part No.: *DINSR-F2XX-L*

ORDER INFORMATION

