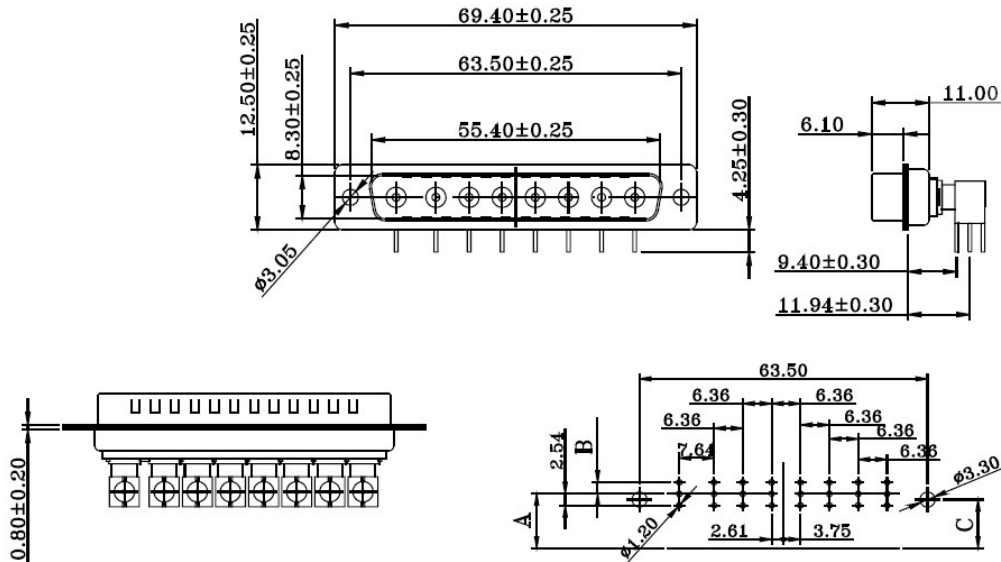
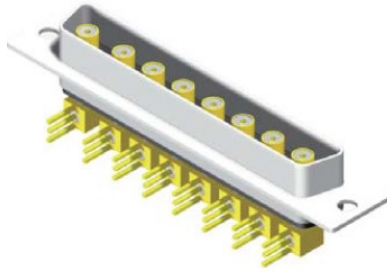
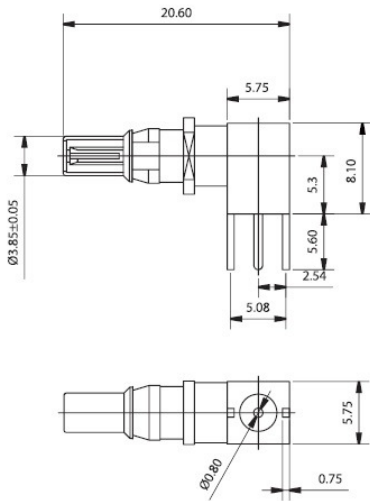


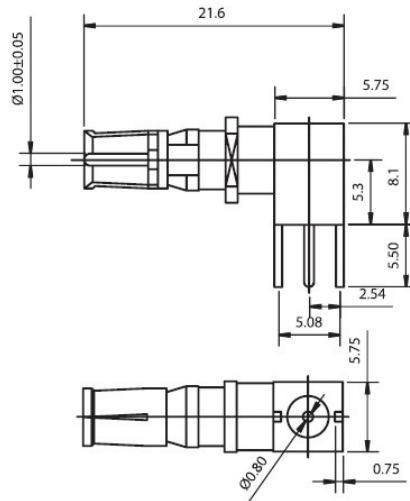
Coaxial Conn. Right Angle Type



MALE

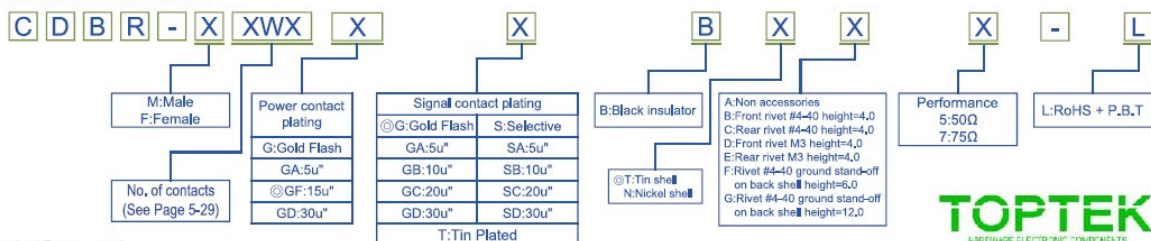


FEMALE



Distance (mm)	TYPE 1	TYPE 2
A	7.2	9.4
B	2.84	2.54
Bracket Type		
C	10.67	

Order Information



©: Standard Recommend

TOPTEK
HAFFWARE ELECTRONIC COMPONENTS



www.toptek-co.com