

# Battery Holder Conn. Coin Type

## Material

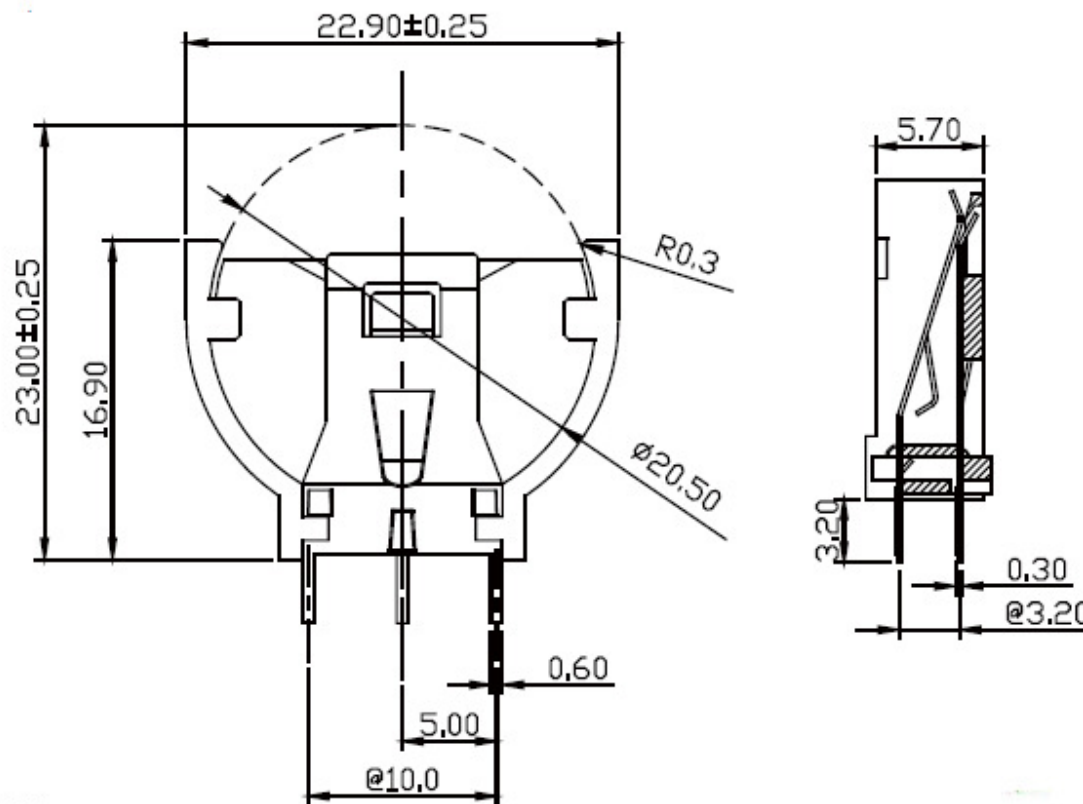
Insulator Material: Nylon 46+G.F, UL 94V-0

Terminal: Copper Alloy

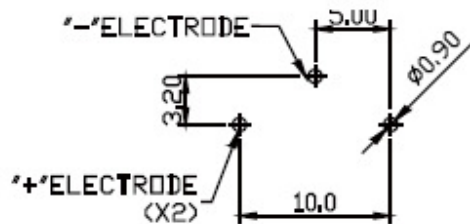
Plated: Tin Plated

For CR2032

RoHS  
2002/95/EC



**BTVA-2032TB-U**



Recommended PCB Layout  
(PCB TOLERANCE ±0.05)

**TOPTEK**  
HARDWARE ELECTRONIC COMPONENTS



[www.toptek-co.com](http://www.toptek-co.com)