

Battery Holder Conn. Coin Type

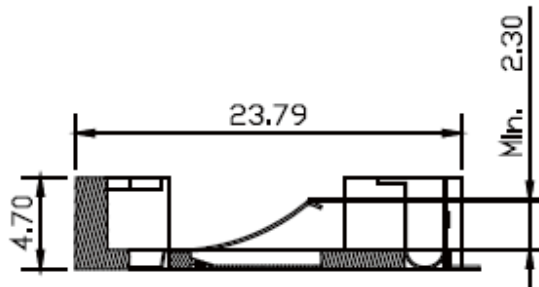
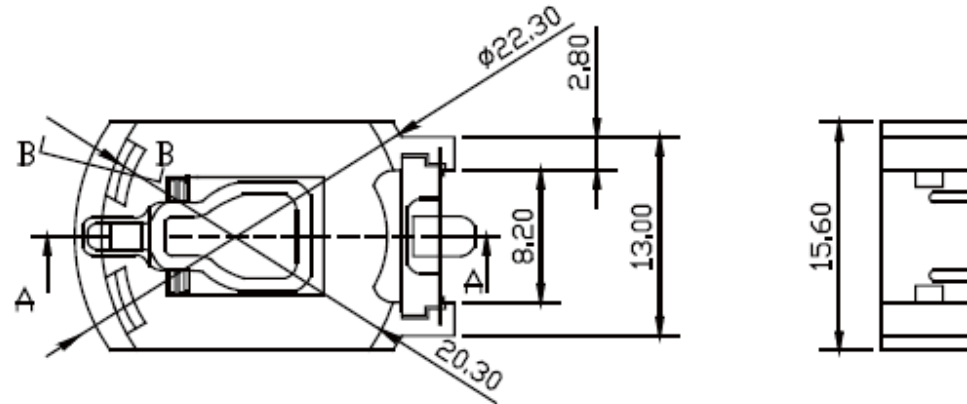
Material

Insulator Material: PPS+G.F 30%, UL 94V-0

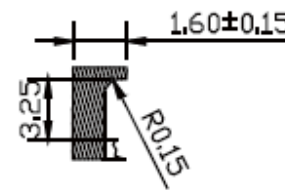
Terminal: Copper Alloy

Plated: Gold Plated

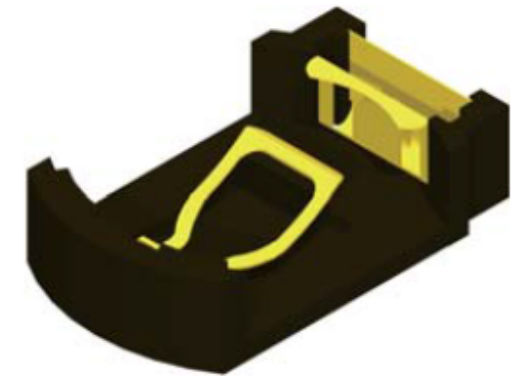
For CR2032



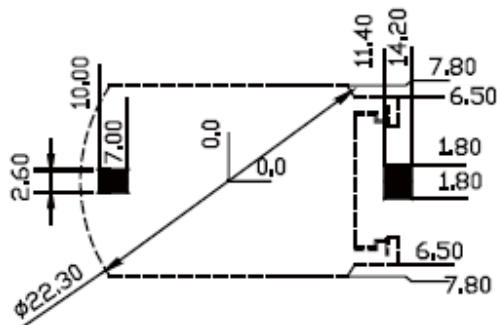
SECTION B-B



SECTION B-B



BTMA-2032GN-U



Recommended PCB Layout
(PCB TOLERANCE ± 0.05)

TOPTEK
HARDWARE ELECTRONIC COMPONENTS



www.toptek-co.com