

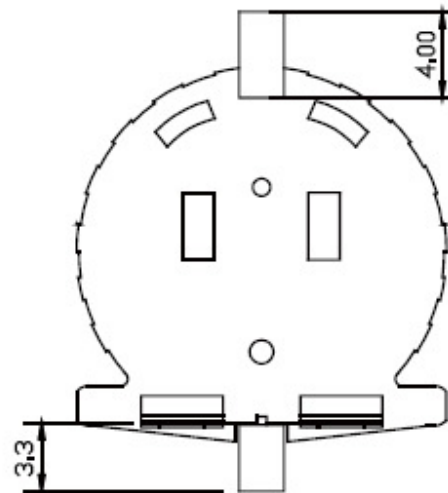
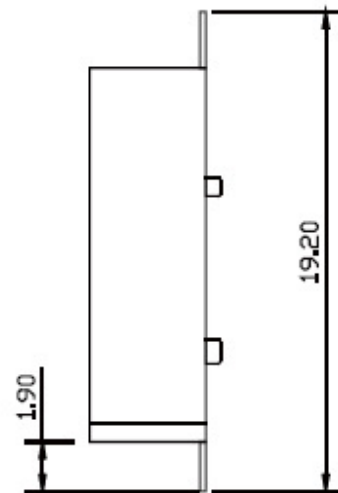
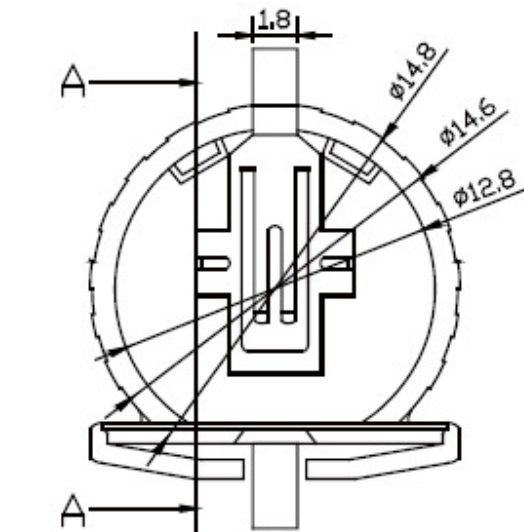
Battery Holder Conn. Coin Type

Material

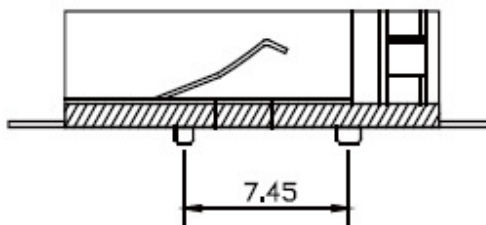
Insulator Material:PPS,UL 94V-0

Terminal:Copper Alloy

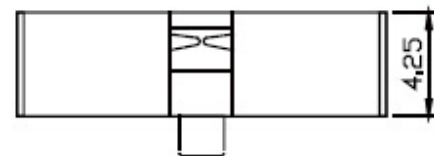
Plated:Gold Plated



BTM-1220GN-U



SECTION A-A



TOPTEK
HARDWARE ELECTRONIC COMPONENTS



www.toptek-co.com