

Battery Holder Conn. Coin Type

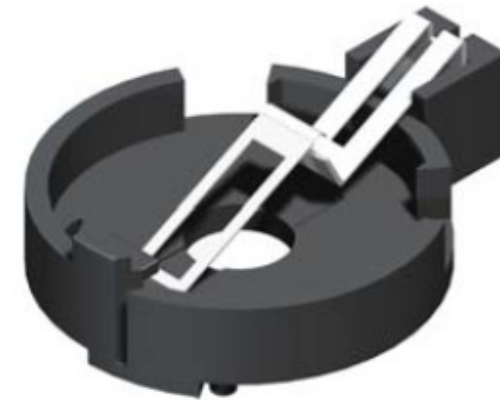
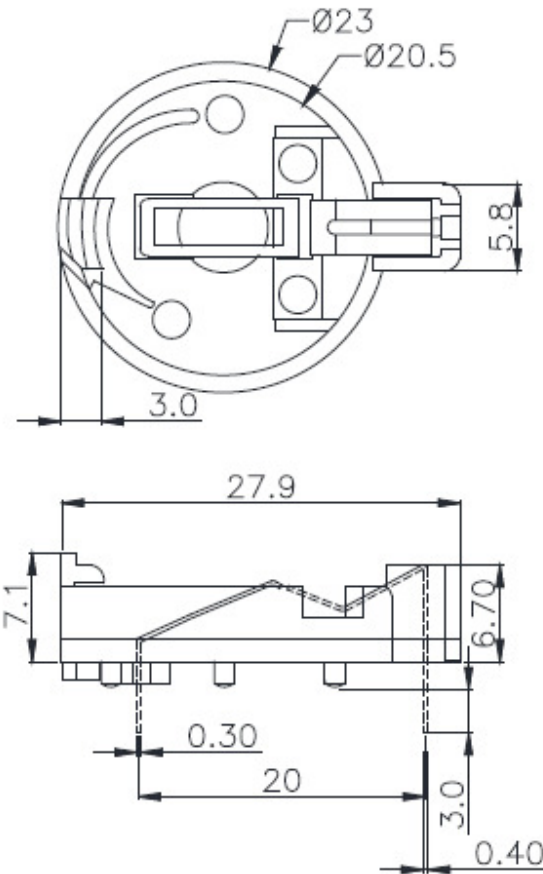
Material

Insulator Material: Nylon 46, UL 94V-0

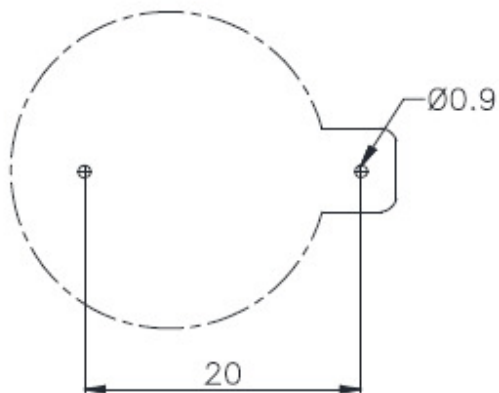
Terminal: Copper Alloy

Plated: Tin Plated

For CR2032



BTDD-2032TB-U



Recommended PCB Layout
(PCB TOLERANCE ±0.05)

TOPTEK
HARDWARE ELECTRONIC COMPONENTS



www.toptek-co.com