

Battery Holder Conn. Coin Type

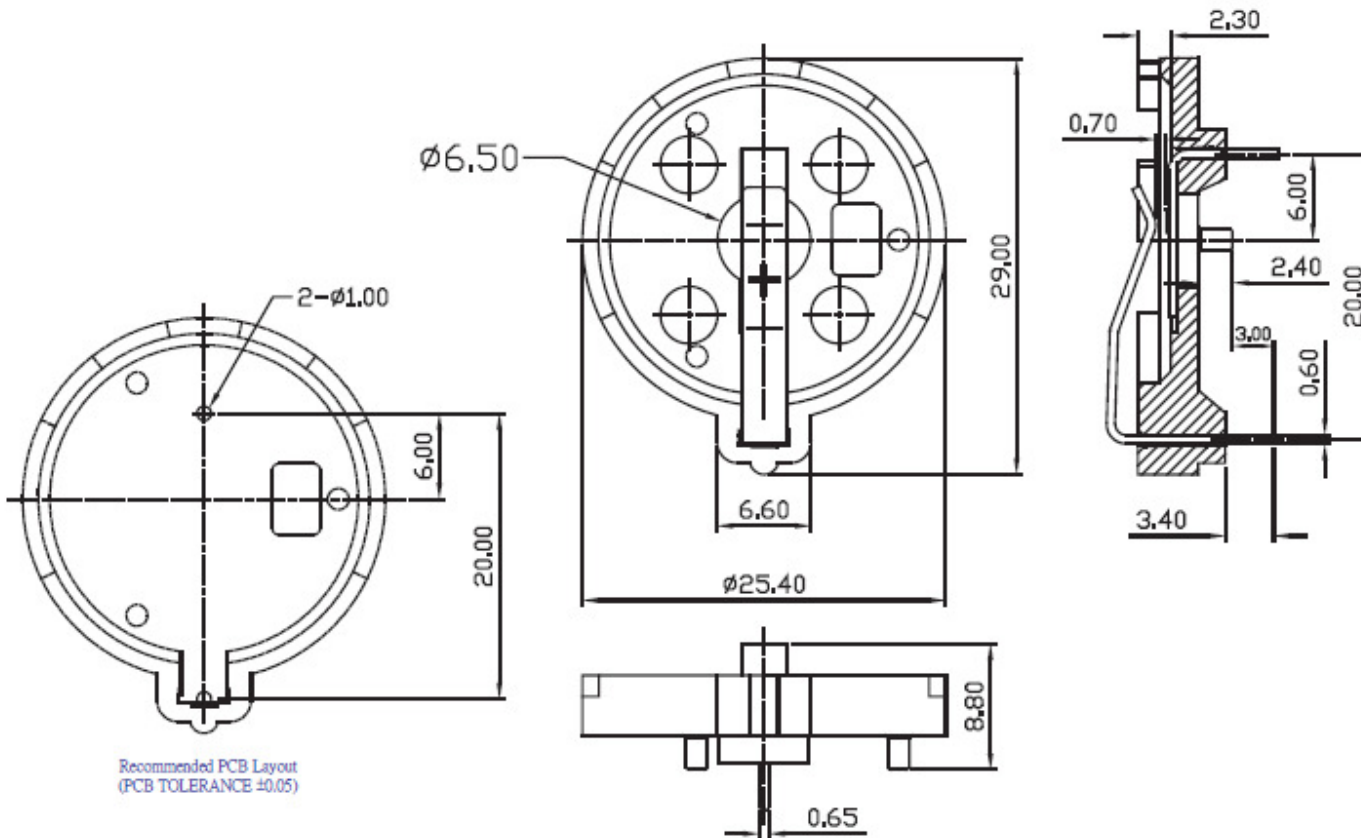
Material

Insulator Material:PBT,UL 94V-0

Contact Material:Copper Alloy

Finish: Tin Plated

For CR2325



BTD-2325TB-L

TOPTEK
HARDWARE ELECTRONIC COMPONENTS



www.toptek-co.com