

Battery Holder Conn. Coin Type

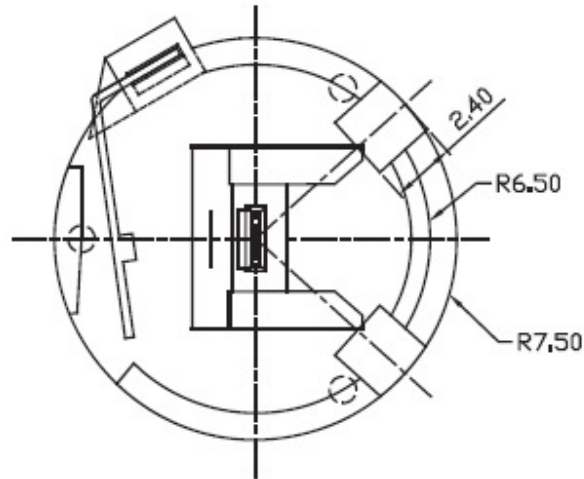
Material

Insulator Material:PBT,UL 94V-0

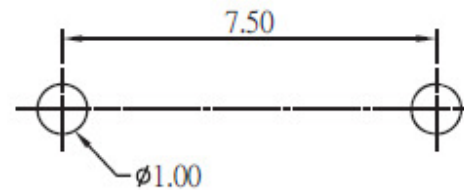
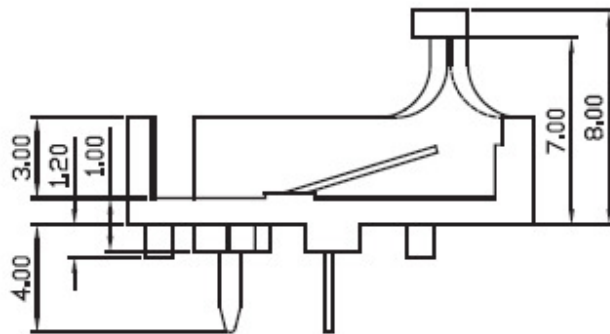
Contact Material:Copper Alloy

Finish:Tin Plated

For CR1250



BTD-1250TB-L



Recommended PCB Layout
(PCB TOLERANCE ± 0.05)

TOPTEK
HARDWARE ELECTRONIC COMPONENTS



www.toptek-co.com