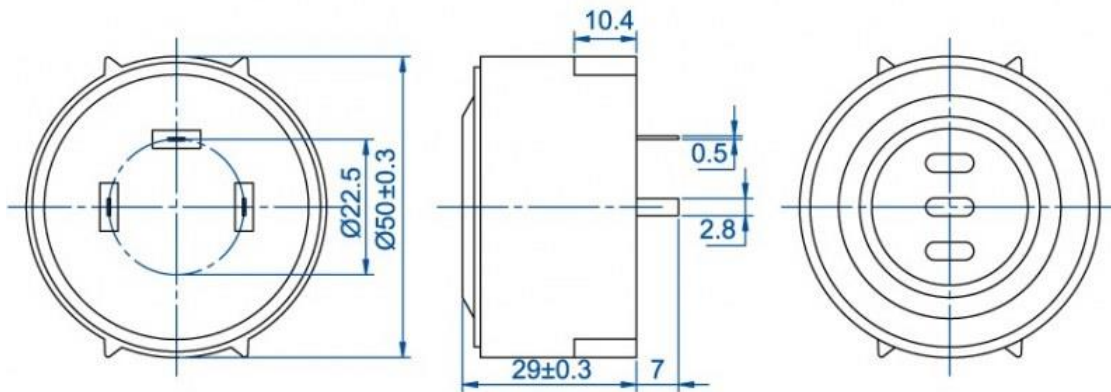


B5029

MODEL NO.:B5029  
 Dimensions(mm):50x29  
 Operating Voltage(VDC): 5~13  
 Resonant Freq.(Hz):2500  
 SPL(dB):100min at 25.4cm  
 Tone: continuous



1	Part Number	B5029-TA-12-2.5-22.5-R
2	Rated Voltage (VDC)	12
3	Operating Voltage (VDC)	5~13
4	*Rated Current (mA)	75 max
5	*Sound Output at 25.4cm (dB)	100 min
6	Tone	Single
7	Resonant Frequency (Hz)	2500±500
8	Operating Temperature (°C)	-20~+60
9	Storage Temperature (°C)	-30~+70
10	Weight (g)	40
11	RoHS	Yes