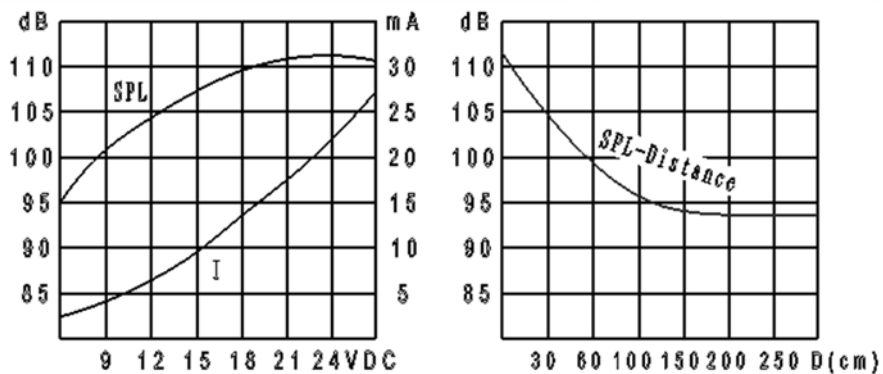
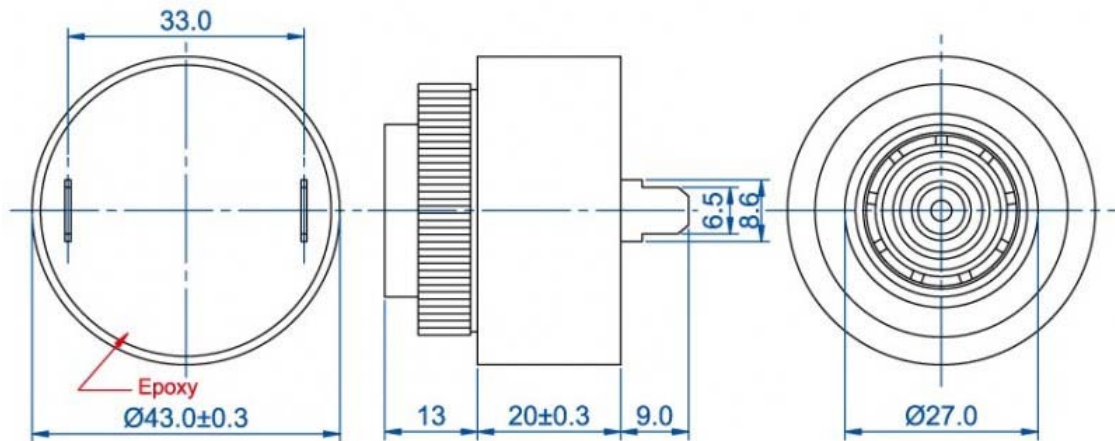


MODEL NO.:B4333  
 Dimensions(mm):43x33  
 Operating Voltage(VDC):5~28  
 Resonant Freq.(Hz):2900  
 SPL(dB):95min at 30cm  
 Tone: continuous/pulse



Model	Model	B4333SP-TA-12-2.9-7.5-R
2	Rated Voltage (VDC)	12
3	Operating Voltage (VDC)	5~28
4	*Rated Current (mA)	≤20
5	*Sound Output at 30cm (dB)	≥95
6	*Resonant Frequency (Hz)	2900±500
7	Tone	Fast Pulse /Continuous
8	Operating Temperature (°C)	-20~+65
9	Storage Temperature (°C)	-30~+70
10	Weight (g)	38
11	Housing Material	ABS
12	RoHS	Yes