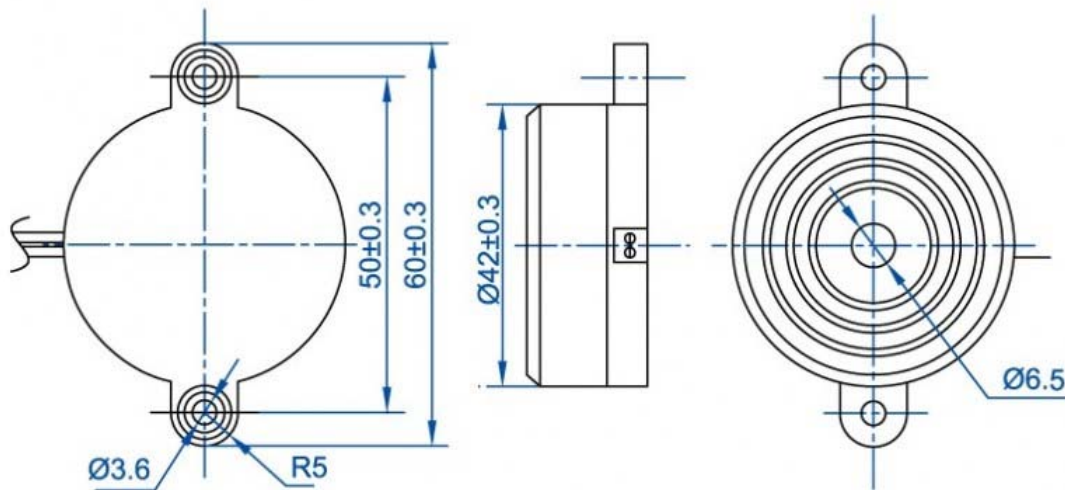




MODEL NO.:B4221W
 Dimensions(mm):42x21
 Operating Voltage(VDC): 9~15
 Resonant Freq.(Hz):2800
 SPL(dB):100min at 30cm
 Tone: continuous



Model	Model	B4221W1255-TA-12-R
2	Rated Voltage (VDC)	12
3	Operating Voltage (VDC)	9~15
4	*Rated Current (mA)	≤200

5	*Sound Output at30 cm (dB)	≥100
6	Tone	Siren
7	Operating Temperature (°C)	-20~+60
8	Storage Temperature (°C)	-30~+70
9	Weight (g)	20
10	Housing Material	ABS
11	RoHS	Yes
