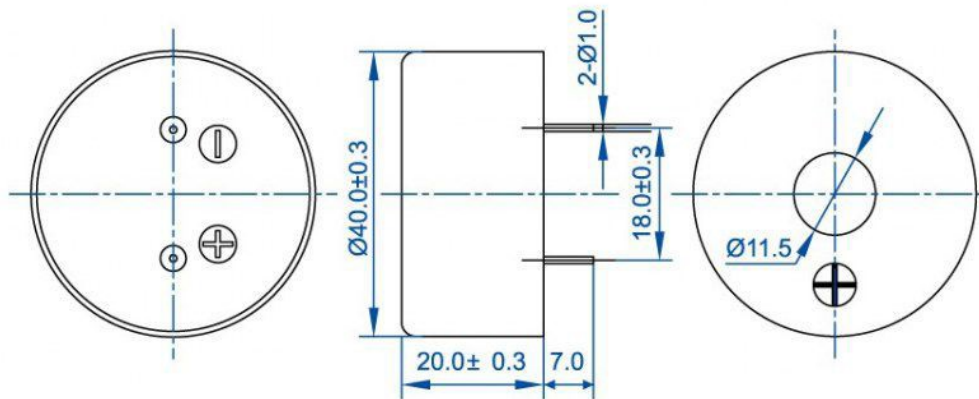
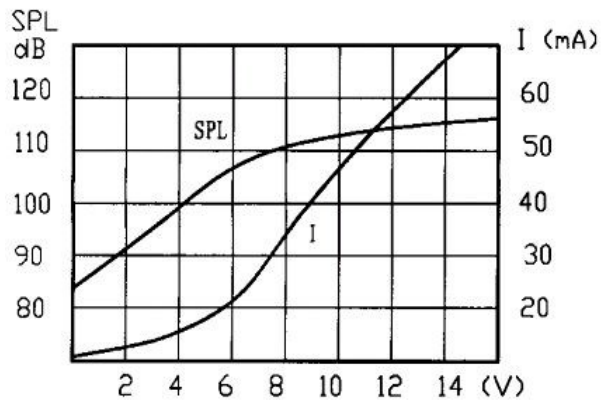


SPECIFICATION		
1	Model No.	B4020-GO-9-2.8-18.0-R
2	Rated Voltage	9VDC
3	Operating Voltage	3.0~20.0VDC
4	*Current Consumption	≤50(mA)
5	*Sound Output at 3m	≥85(dB)
6	Resonant Frequency	2800±500(Hz)
7	Operating Temperature	-20~+75(°C)
8	Storage Temperature	-30~+80(°C)
9	Tone	Continuous
10	Case material	PBT



REVISION HISTORY			
LTR	DESCRIPTION	DATE	APPROVED
-	RELEASED FROM ENGINEERING	9/23/2003	Y M
A			
B			
C			



NOTES:

1. ALL DIMENSIONS ARE IN MILLIMETERS
2. SPECIFICATIONS SUBJECT TO CHANGE WITHOUT NOTICE
3. THIS PART IS ROHS COMPLIANT
4. OTHER NOTICE

UNLESS OTHERWISE SPECIFIED. DIMENSIONS ARE IN MILLIMETERS TOLERANCES ARE +/-0.5 AND ANGLES ARE +/-3°	SIZE	Designed by	Date	Checked by	Date	Approved by	Date	Drawed date
		info@toptek-co.com						
	A4	B4020-GO-9-2.8-18.0-R						
		BUZZER	Edition		Sheet			

