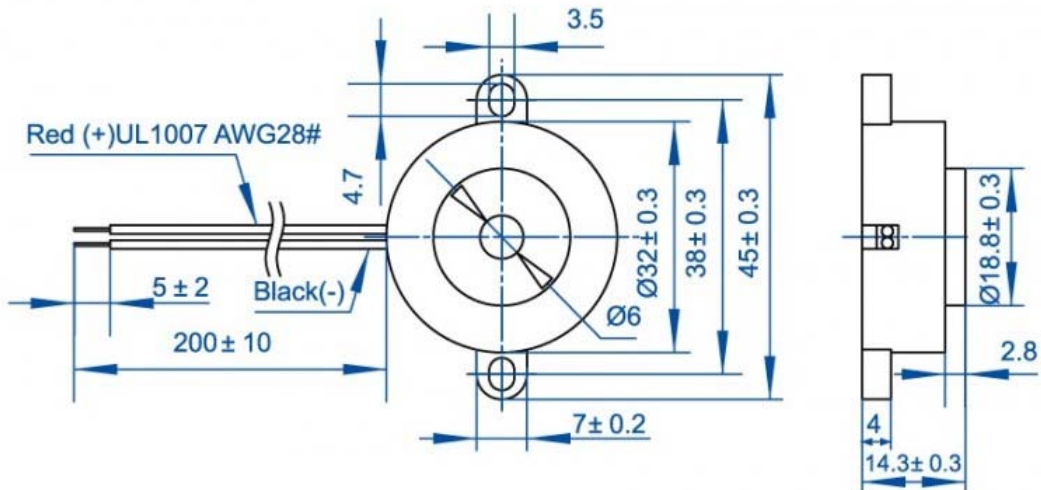
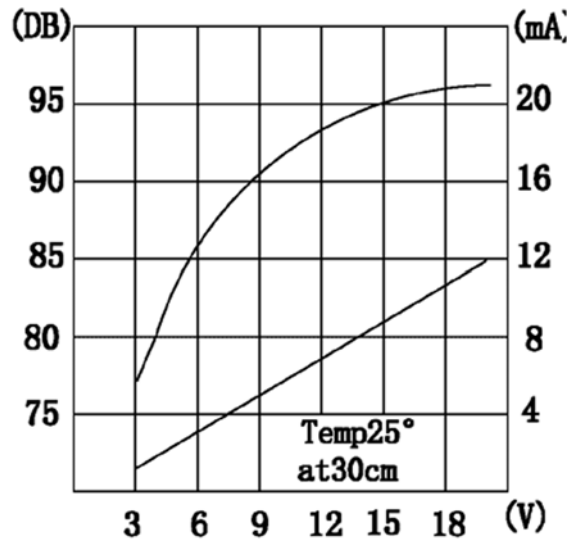




MODEL NO.:B3215W
 Dimensions(mm):32x14.3
 Operating Voltage(VDC): 3~20
 Resonant Freq.(Hz):3900
 SPL(dB):95min at 30cm
 Tone: continuous





Model	Model	B3215SW1005-TA-12-3.9-R
2	Rated Voltage (VDC)	12
3	Operating Voltage (VDC)	3~20
4	*Rated Current (mA)	≤12
5	*Sound Output at 30 cm (dB)	≥95
6	*Resonant Frequency (Hz)	3900±500
7	Tone	Continuous
8	Operating Temperature (°C)	-20~+65
9	Storage Temperature (°C)	-30~+75
10	Weight (g)	8
11	RoHS	Yes
12	Housing Material	ABS