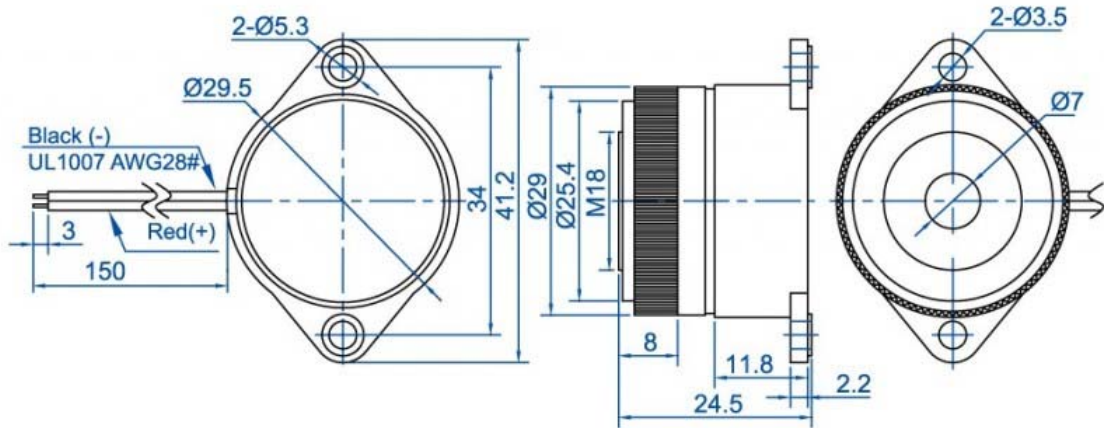


MODEL NO.:B3024PW
 Dimensions(mm):29x24.5
 Operating Voltage(VDC): 2~30
 Resonant Freq.(Hz):3500
 SPL(dB):95min at 30cm
 Tone: continuous/pulse



Model NO.	Model NO.	B3024PW1505-TA-12-3.5-R
2	Rated Voltage (VDC)	12
3	Operating Voltage (VDC)	2~30
4	*Resonant Frequency (Hz)	3500±500

5	*Sound Output at 30cm (dB)	≥95
6	*Current Consumption (mA)	≤12
7	Tone / Pulse Rate	165±20 cycles/min
8	Operating Temperature (°C)	-20~+70
9	Storage Temperature (°C)	-30~+80
10	Weight (g)	13
11	Housing Material	Black ABS
12	RoHS	Yes
