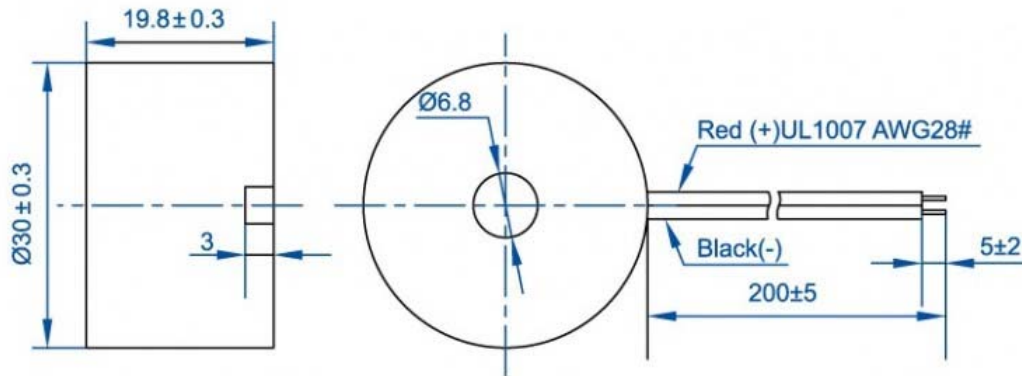


MODEL NO.:B3020W
 Dimensions(mm):30x19.8
 Operating Voltage(VDC): 3~20
 Resonant Freq.(Hz):3500
 SPL(dB):100min at 10cm
 Tone: pulse



| Model No. | Model No. | B3020W1305-TC-12-3.5-R |
|-----------|----------------------------|------------------------|
| 2 | Rated Voltage (VDC) | 12 |
| 3 | Operating Voltage (VDC) | 3~20 |
| 4 | *Resonant Frequency (Hz) | 3500±500 |
| 5 | *Sound Output at 10cm (dB) | ≥100 |

| | | |
|----|----------------------------|-----------------------|
| 6 | *Current Consumption (mA) | ≤12 |
| 7 | Operating Temperature (°C) | -20~+70 |
| 8 | Storage Temperature (°C) | -30~+80 |
| 9 | Weight (g) | 8 |
| 10 | Tone | Pulse:22±6 cycles/10s |
| 11 | RoHS | Yes |
