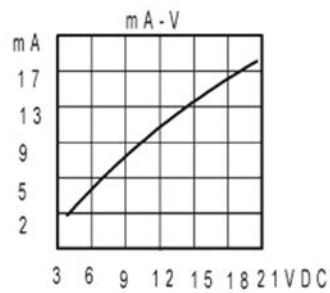
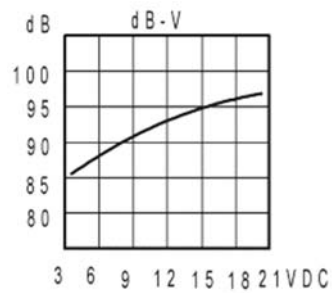
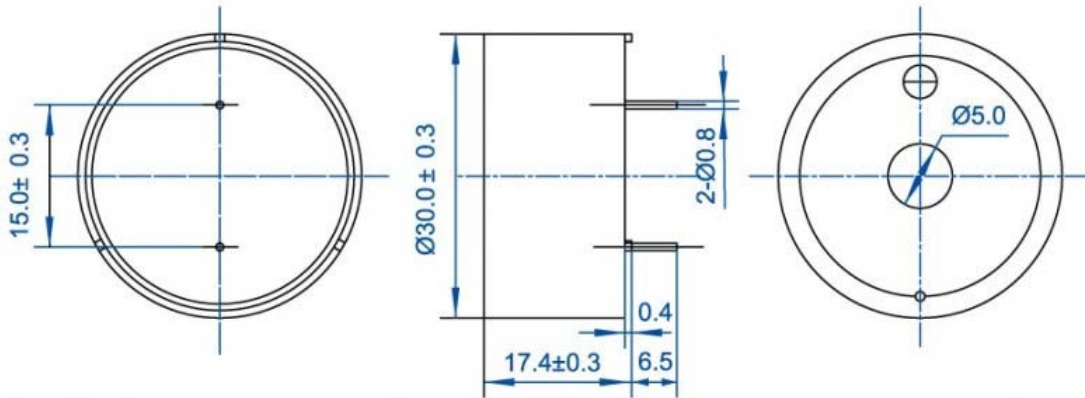


MODEL NO.:B3015
 Dimensions(mm):30x17.4
 Operating Voltage(VDC): 3~20
 Resonant Freq.(Hz):2700
 SPL(dB):95min at 10cm
 Tone: continuous



Model No.	Model No.	B3015-TA-12-2.7-15.0-R
2	Rated Voltage (VDC)	12
3	Operating Voltage (VDC)	3~20
4	*Resonant Frequency (Hz)	2700±500
5	*Sound Output at 10cm (dB)	≥95
6	*Current Consumption (mA)	≤12
7	Operating Temperature (°C)	-20~+70
8	Storage Temperature (°C)	-30~+70
9	Weight (g)	5
10	RoHS	Yes
11	Housing Material:	ABS