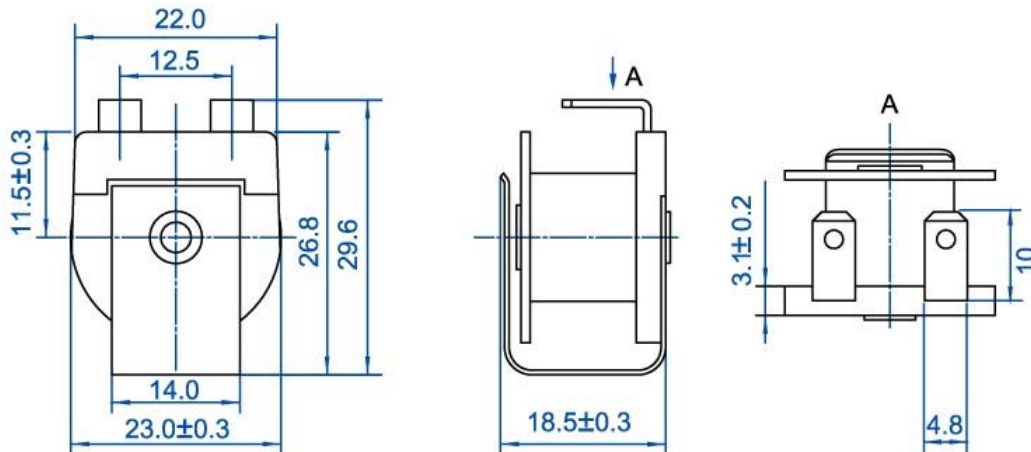
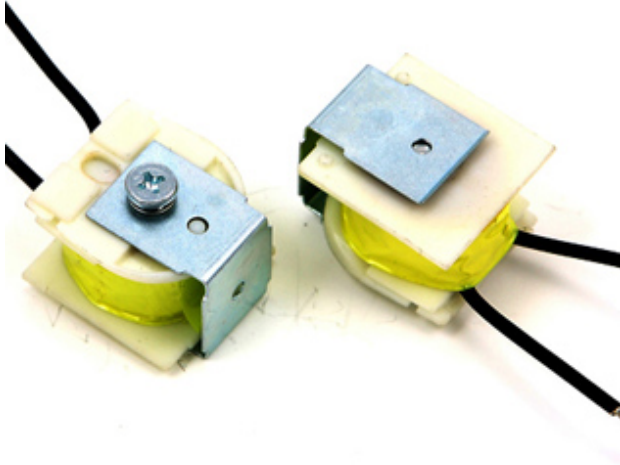


B2330

MODEL NO.:B2330  
Dimensions(mm):23x26.8x18.5  
Operating Voltage(VAC): 50~250  
Resonant Freq.(Hz):6500  
SPL(dB):80min at 10cm



1	Model	B2330-220V
2	Rated Voltage (V <sub>ac</sub> )	220
3	Operating Voltage (V <sub>ac</sub> )	50~250
4	Rated Current (mA)	≤40
5	Sound Output at 10cm (dB)	≥80
6	Coil Resistance (Ω)	6500 ± 650
7	Operating Temperature (°C)	-25 ~ +110
8	Storage Temperature (°C)	-25 ~ +110
9	Weight (g)	16.3