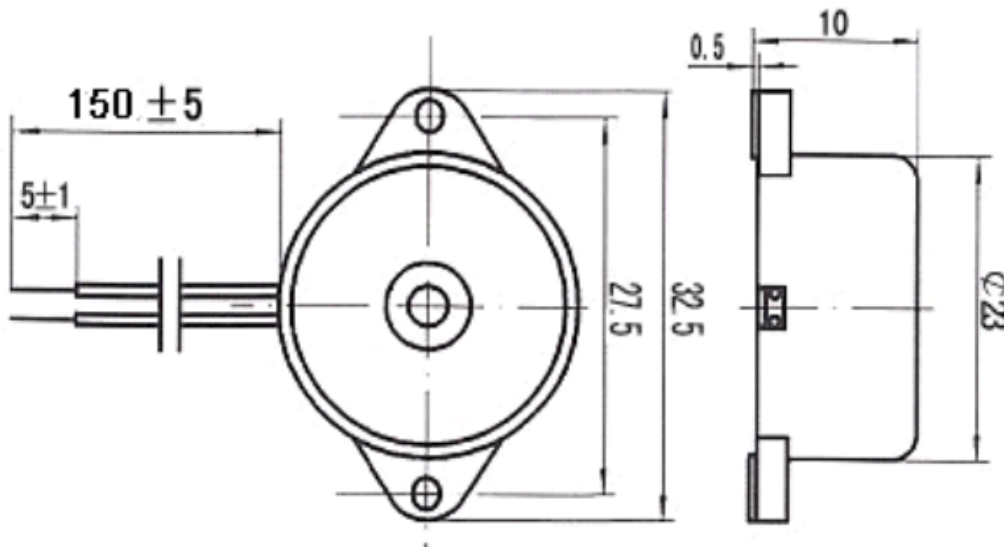




MODEL NO.:B2310W

Dimensions(mm):23x10
Operating Voltage(VDC): 1.5~30
Resonant Freq.(Hz):3500
SPL(dB):85min at 10cm



Model	Model	B2310W150-TA-12-3.5-R
2	Rated Voltage (VDC)	12
3	Operating Voltage (VDC)	1.5~30
4	*Rated Current (mA)	≤10
5	*Sound Output at 10 cm (dB)	≥85
6	*Resonant Frequency (KHz)	3.5±0.5
7	Operating Temperature (°C)	-20~+80
8	Storage Temperature (°C)	-30~+60
9	Weight (g)	3
10	Housing Material	ABS
11	RoHS	Yes