

# D SUB CONNECTORS

## D-SUB Elevated Dip Type

**TOPTTEK**<sup>®</sup>

HARDWARE ELECTRONIC COMPONENTS



lead-free

RoHS 2002/95/EC

### Specifications

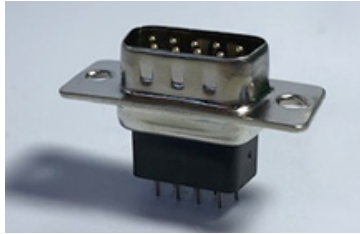
Current Rate: 3 AMP | Insulation Resistance: 1000MΩ Min. | Contact Resistance: 20mΩ Max. | Dielectric Voltage: 500V AC for one minute | Operation Temperature: -55°C to +105°C

### Material

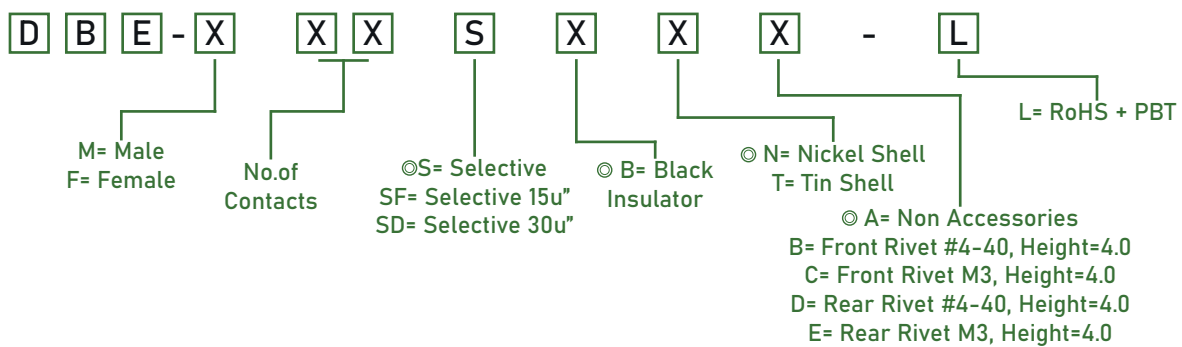
Contacts: Copper Alloy | Insulator: PBT UL 94V-0 Rated



www.toptek-co.com



## ORDER INFORMATION



No. of Contacts	Dim. A	Dim. B	Dim. C	Dim. D	Dim. E	Dim. H	Dim. I
9	30.81	24.99	16.92	11.08	19.18	3.60	11.10
15	39.14	33.32	25.50	19.39	27.51	5.40	12.70
25	53.04	47.04	38.96	33.24	41.00	7.20	14.50
37	69.32	63.50	55.42	49.86	57.71	7.20	14.50

