

# ▶ TERMINAL BLOCK

PCB Terminal block (carrello)



**TOPTTEK®**  
HARDWARE ELECTRONIC COMPONENTS

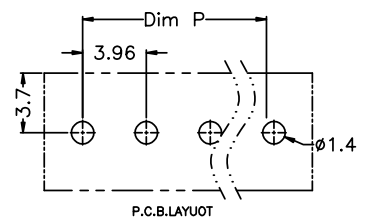
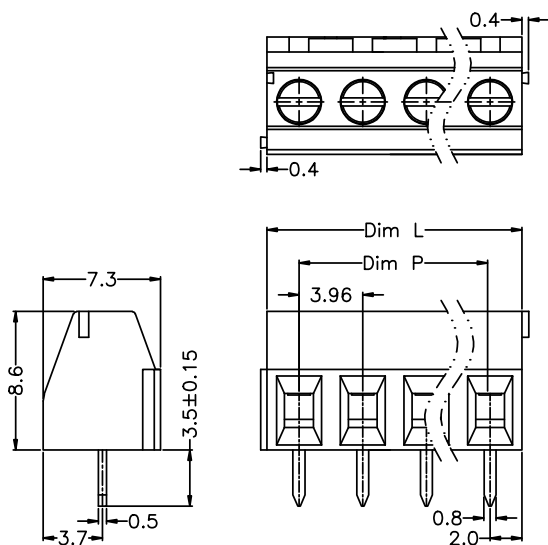
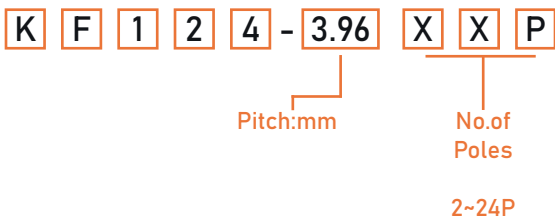


## SPECIFICATION MODEL KF124 P.3.96 :

1	Screw Material	M2.0 steel, Zinc plated, "-" slot type
2	Housing Material	PA66, UL94V-0
3	Clamp Material	Brass, Ni plated
4	Pin Header Material	Brass, Tin plated
5	Rated voltage	UL: 300V IEC:130V
6	Rated Current	UL: 10A IEC: 10A
7	Insulation Resistance	500MΩ / DC500V
8	Withstanding Voltage	AC1500V / 1min
9	Wire Range	26-16AWG 1.5mm <sup>2</sup>
10	Operating Temperature	-40°C.....+105°C
11	Soldering Temperature	250°C ± 5 / 5sec
12	Torque	0.2N.m (1.77Lb.in)
13	Strip Length	4-5mm



## ▶ ORDER INFORMATION



N=Number of Poles  
Dim P=(N-1)×3.96  
Dim L=N×3.96

Poles	Dim	Dim P	Dim L
2-6P		±0.10	±0.15
7-12P		±0.20	±0.20
13-18P		±0.25	±0.30
19-24P		±0.30	±0.40

