

D SUB CONNECTORS

D-SUB Crimp Type



Specifications

Current Rate: 3 AMP | Insulation Resistance: 1000MΩ Min. | Contact Resistance: 20mΩ Max. | Dielectric Voltage: 500V AC for one minute | Operation Temperature: -55°C to +105°C

Material

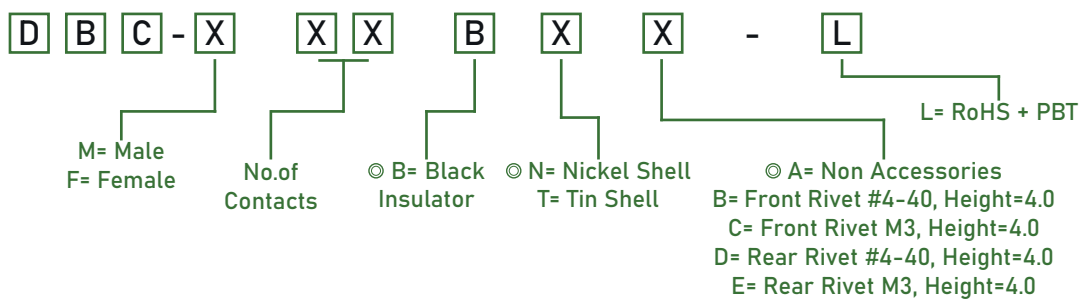
Contacts: Copper Alloy | Insulator: PBT UL 94V-0 Rated

TOPTTEK[®]
HARDWARE ELECTRONIC COMPONENTS

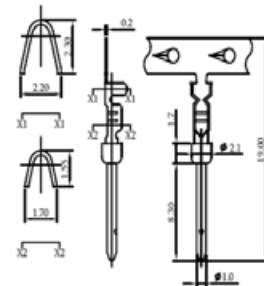
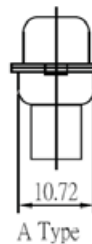
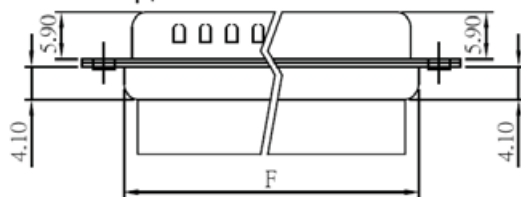
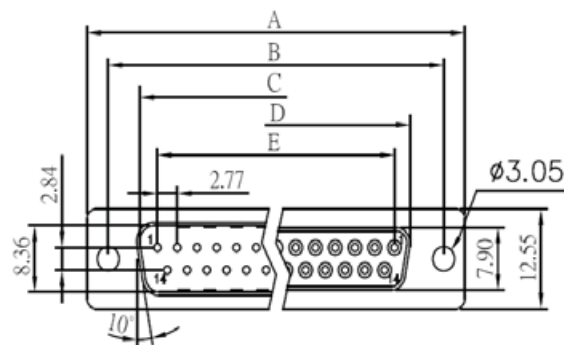
www.toptek-co.com



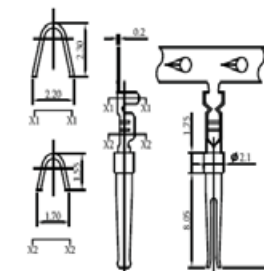
ORDER INFORMATION



| No. of Contacts | Dim. A | Dim. B | Dim. C | Dim. D | Dim. E | Dim. F |
|-----------------|--------|--------|--------|--------|--------|--------|
| 9 | 30.81 | 24.99 | 16.92 | 16.33 | 11.08 | 19.20 |
| 15 | 39.14 | 33.32 | 25.50 | 24.66 | 19.39 | 27.70 |
| 25 | 53.04 | 47.04 | 38.96 | 38.38 | 33.24 | 41.10 |
| 37 | 69.32 | 63.50 | 55.42 | 54.84 | 49.86 | 57.30 |



PART No.:DBC-MT-L
1.0 Crimp Pin Male



PART No.:DBC-FT-L
1.0 Crimp Pin Female