

▶ TERMINAL BLOCK

PCB Terminal block (carrello)



TOPTTEK®
HARDWARE ELECTRONIC COMPONENTS



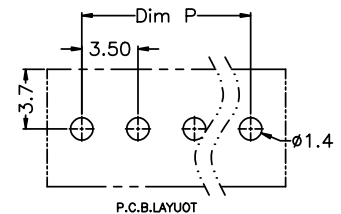
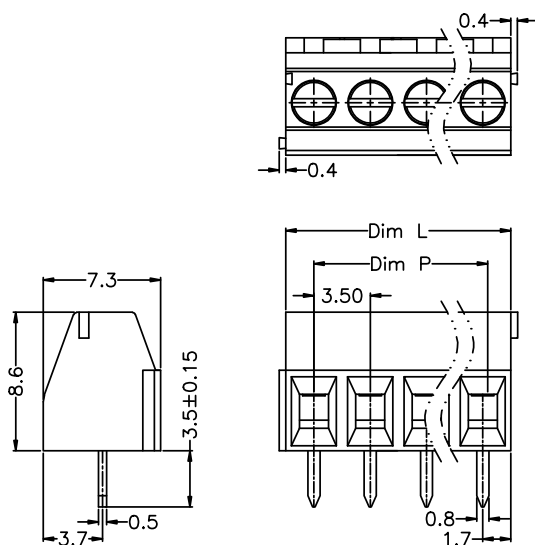
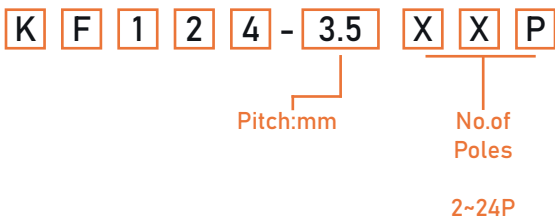
www.toptek-co.com

SPECIFICATION MODEL KF124 P.3.5 :

1	Screw Material	M2.0 steel, Zinc plated, "-" slot type
2	Housing Material	PA66, UL94V-0
3	Clamp Material	Brass, Ni plated
4	Pin Header Material	Brass, Tin plated
5	Rated voltage	UL: 300V IEC:130V
6	Rated Current	UL: 10A IEC: 10A
7	Insulation Resistance	500MΩ / DC500V
8	Withstanding Voltage	AC1500V / 1min
9	Wire Range	26-16AWG 1.5mm ²
10	Operating Temperature	-40°C.....+105°C
11	Soldering Temperature	250°C ± 5 / 5sec
12	Torque	0.2N.m (1.77Lb.in)
13	Strip Length	4-5mm



▶ ORDER INFORMATION



N=Number of Poles
Dim P=(N-1)×3.50
Dim L=N×3.50

Poles	Dim	Dim P	Dim L
2-6P		±0.10	±0.15
7-12P		±0.20	±0.20
13-18P		±0.25	±0.30
19-24P		±0.30	±0.40

