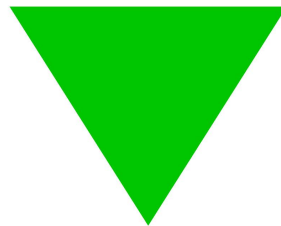


SIM/Battery Holder RCA Jack


TOPTEK®

HARDWARE ELECTRONIC MANUFACTURER




www.toptek-co.com

TOPTEK srl
10015 - IVREA (TO) - ITALY
tel. +39 0125 251 211 - fax +39 0341 367 607
info@toptek-co.com

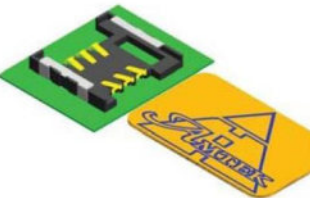
SIMC0131 - XX 06 - U
1 2

1.H=1.5/1.8/2.0/2.2/
2.6/2.8mm
2.RoHS + LCP



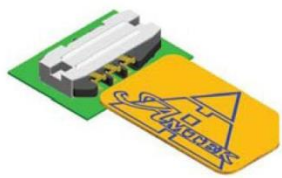
SIMC0150 - XX 06 - U
1 2

1.H=2.1/2.3mm
2.RoHS + LCP




SIMC0155 - XX 06 - U
1 2

1.H=2.7/2.9mm
2.RoHS + LCP



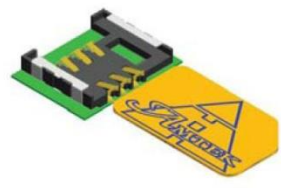
SIMC0157 - 26 A06 - U
1 2

1.H=2.6mm
2.RoHS + LCP




SIMC0157 - XX B06 - U
1 2

1.H=2.5/2.7/2.9/3.1mm
2.RoHS + LCP




SIMC0222 - XX 06 - U
1 2

1.H=2.2/2.4/2.6mm
2.RoHS + LCP




SIMC0300 - XX - U
1 2

1.No. of Contacts(06,08)
2.RoHS + PPS




MSDC0201 - XX 11 - U
1 2

1.H=2.2/2.4mm
2.RoHS + LCP




TSDC0201 - 08 - U
1 2

1.No. of Contacts
2.RoHS + LCP



SMAC02 - 609 - U
1

1.RoHS + LCP



SMAC02 - 669 - U
1

1.RoHS + LCP



BTM0123 - XX - U
1 2

1.No. of Contacts
2.RoHS + LCP

CONNECTORS MANUFACTURER




6
*
2

IM Card / Battery Holder




RoHS



BTD - 1225TB - L
1


1.RoHS + PBT
For CR1225



BTD- 1250TB - L
1

1.RoHS + PBT
For CR1250

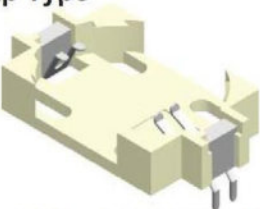
SMT Type



BTM - 2032 GW - U
1


1.RoHS + LCP
For CR2032

Dip Type




BTD - 2032 TW - U
1

1.RoHS + LCP
For CR2032



BTDA - 2032 TB - L
1

1.RoHS + PBT
For CR2032




BTDB - 2032 TB - L
1

1.RoHS + PBT
For CR2032



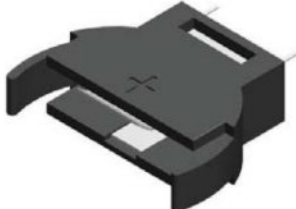
BTDC - 2032 TB - U
1

1.RoHS + Nylon 46
For CR2032




BTDD - 2032 TB - U
1

1.RoHS + Nylon 46
For CR2032




BTV - 2032 TB - U
1

1.RoHS + Nylon 46
For CR2032



BTD - 2325 TB - L
1

1.RoHS + PBT
For CR2325



BTD - 2450 TB - L
1

1.RoHS + PBT
For CR2450





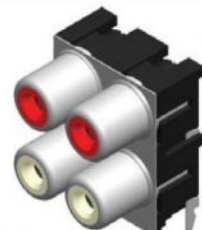
RCA - 032 - 03A - $\frac{L}{1}$

1.RoHS + PBT



RCA - 242V4 - $\frac{L}{1}$

1.RoHS + ABS



RCA - 244V11 - $\frac{L}{1}$

1.RoHS + ABS



RCA - 04061V2 - $\frac{L}{1}$

1.RoHS + PBT



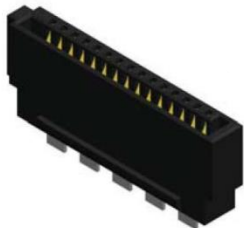
RCA - 246V34 - $\frac{L}{1}$

1.RoHS + ABS



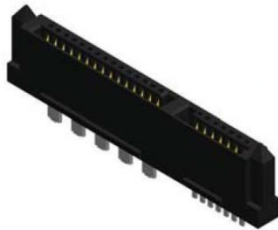
SATAS - F 07 SB - $\frac{L}{1 \quad 2}$

1.No. of Contacts
2.RoHS + PBT



SATAS - F 15 SB - $\frac{L}{1 \quad 2}$

1.No. of Contacts
2.RoHS + PBT



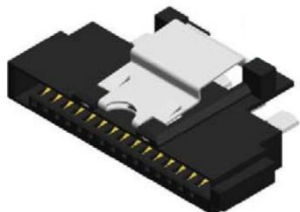
SATAS - F 22 SB - $\frac{L}{1 \quad 2}$

1.No. of Contacts
2.RoHS + PBT



SATASL - F 07 SB - $\frac{L}{1 \quad 2}$

1.No. of Contacts
2.RoHS + PBT



SATASL - F 15 SB - $\frac{L}{1 \quad 2}$

1.No. of Contacts
2.RoHS + PBT



SATASS - F 07 SB - $\frac{L}{1 \quad 2}$

1.No. of Contacts
2.RoHS + PBT



MDJ - 508B - $\frac{X}{1 \quad 2}$

1.Ports(3~9)
2.RoHS + PBT

CONNECTORS MANUFACTURER

TOPTEK®
HARDWARE ELECTRONIC MANUFACTURER




www.toptek-co.com

7
*
2

CA Jack / S.ATA / Mini Din Jack




RoHS




MDJ - 508BS - $\frac{X}{1} - \frac{L}{2}$

1.Ports(3~9)
2.RoHS + PBT




MDJ - 508D - $\frac{X}{1} A - \frac{L}{2}$

1.Ports(3~9)
2.RoHS + PBT




MDJ - 508E - $\frac{X}{1} A - \frac{L}{2}$

1.Ports(3~9)
2.RoHS + PBT




MDJ - 508V - $\frac{X}{1} - \frac{L}{2}$

1.Ports(3~8)
2.RoHS + PBT




MDJ - 508R - $7 - \frac{L}{1}$

1.RoHS + PBT




MDJ - 508RLS - $7S - \frac{L}{1}$

1.RoHS + PBT




MDJ - 508H - $9 - \frac{L}{1}$

1.RoHS + PBT




MDJ - 508HS1 - $9S - \frac{L}{1}$

1.RoHS + PBT



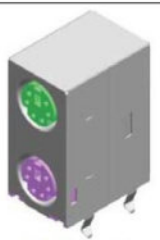
MDJ - 508H - $10 - \frac{L}{1}$

1.RoHS + PBT




MDJ - 508HS1 - $10S - \frac{L}{1}$

1.RoHS + PBT




MDJ - 608E - $6A - \frac{L}{1}$

1.RoHS + PBT




MDJ - 608ES - $6A - \frac{L}{1}$

1.RoHS + PBT




DINM - F XX - L
1 2

1.Ports(3~8)
2.RoHS + PBT




DINM - M XX - L
1 2

1.Ports(3~8)
2.RoHS + PBT




MDML - M XX - L
1 2

1.Ports(3~8)
2.RoHS + PBT




MDML - M 09 - L
1

1.RoHS + PBT




MDM - M XX - L
1 2

1.Ports(3~8)
2.RoHS + PBT




MDM - M 09 - L
1

1.RoHS + PBT



MDM - F XX - L
1 2

1.Ports(3~8)
2.RoHS + Nylon 9T



MDM - F 09 - L
1

1.RoHS + PBT



MDA - F XX - L
1 2

1.Ports(3~8)
2.RoHS + PBT



MDA - M XX - L
1 2

1.Ports(3~8)
2.RoHS + PBT