

▶ TERMINAL BLOCK

PCB Terminal block (carrello)



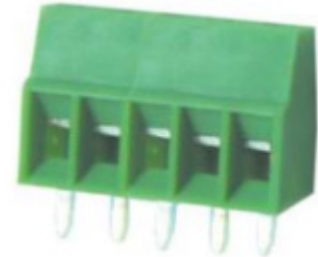
TOPTTEK®
HARDWARE ELECTRONIC COMPONENTS



www.toptek-co.com

SPECIFICATION MODEL KF120 P.2.54 :

1	Screw Material	M1.6 steel, Zinc plated, "-" slot type
2	Housing Material	PA66, UL94V-0
3	Clamp Material	Brass, Ni plated
4	Pin Header Material	Brass, Tin plated
5	Rated voltage	UL: 150V IEC:13V
6	Rated Current	UL: 6A IEC: 8A
7	Insulation Resistance	500MΩ / DC500V
8	Withstanding Voltage	AC1500V / 1min
9	Wire Range	26-18AWG 1.0mm ²
10	Operating Temperature	-40°C.....+105°C
11	Soldering Temperature	250°C ± 5 / 5sec
12	Torque	0.1N.m (0.89Lb.in)
13	Strip Length	3.7-4.7mm



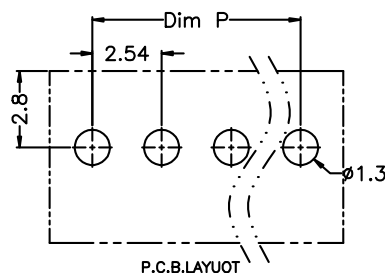
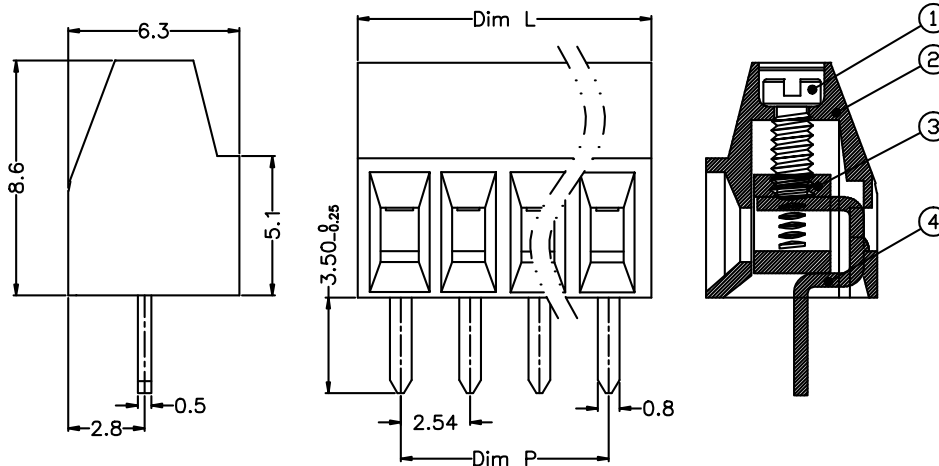
▶ ORDER INFORMATION

K F 1 2 0 - 2.54 X X P

Pitch:mm

No.of Poles

2~24P



N=Number of Poles
Dim P=(N-1)x2.54
Dim L=Nx2.54+0.6

Poles	Dim	Dim P	Dim L
2-6P		±0.10	±0.15
7-12P		±0.20	±0.20
13-18P		±0.25	±0.30
19-24P		±0.30	±0.40