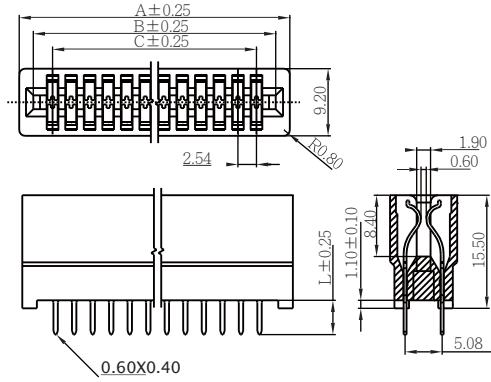
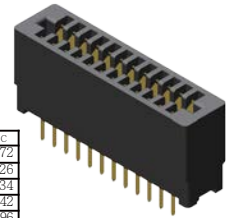




Cardedge 2.54mm Straight / Right Angle Type

Specifications
Current Rate: 1AMP
Insulation Resistance: 1000MΩ Min.
Contact Resistance: 30mΩ Max.
Dielectric Voltage: 250V AC for one minute
Operation Temperature: -55°C to +85°C

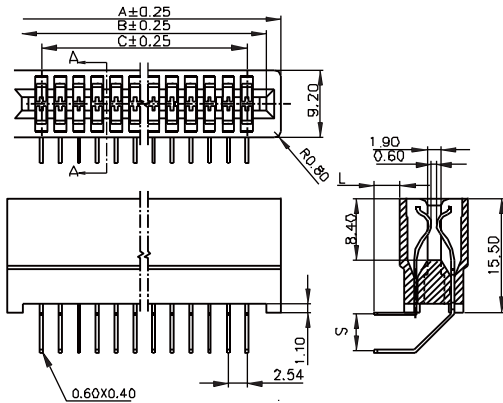
Material
Insulator: Polyester, UL94V-0
© Standard: P.B.T or Nylon 66
Terminal: Copper Alloy
Plated: Selective Plated



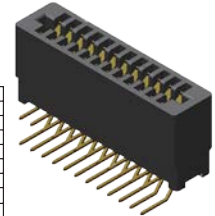
CONTACTS NO.	DIM A	DIM B	DIM C	CONTACTS NO.	DIM A	DIM B	DIM C
2/4	11.68	7.82	2.54	19/38	54.86	51.00	45.72
3/6	14.22	10.36	5.08	20/40	57.40	53.54	48.26
4/8	16.76	12.90	7.62	22/44	62.48	58.62	53.34
5/10	19.30	15.44	10.16	24/48	67.56	63.70	58.42
6/12	21.84	17.98	12.70	25/50	70.10	66.24	60.96
7/14	24.38	20.52	15.24	30/60	82.80	78.94	73.66
8/16	26.92	23.06	17.78	31/62	85.34	81.48	76.20
9/18	29.46	25.60	20.32	32/64	87.88	84.02	78.74
10/20	32.00	28.14	22.86	35/70	95.50	91.64	86.36
11/22	34.54	30.68	25.40	36/72	98.04	94.18	88.90
12/24	37.08	33.22	27.94	40/80	108.20	104.34	99.06
13/26	39.62	35.76	30.48	43/86	115.82	111.96	106.68
14/28	42.16	38.30	33.02	49/98	138.68	134.82	129.54
15/30	44.70	40.84	35.56	50/100	133.60	129.74	124.46
16/32	47.24	43.38	38.10	54/108	143.76	139.90	134.62
17/34	49.78	45.92	40.64	60/120	159.00	156.14	149.86
18/36	52.32	48.46	43.18				

TAIL LENGTH	L
A	4.70mm
B	6.10mm
C	14.10mm
D	21.80mm

P/N.: 5ECN1S0BN-XXXXXXL-B1



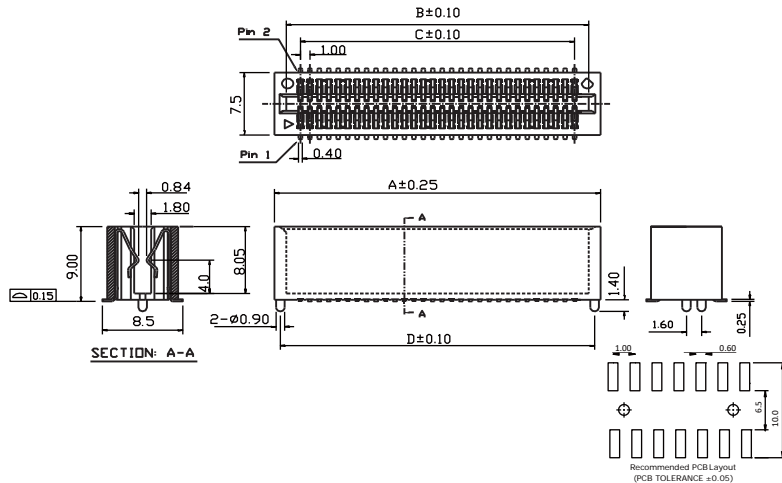
CONTACTS NO.	DIM A	DIM B	DIM C	CONTACTS NO.	DIM A	DIM B	DIM C
2/4	11.68	7.82	2.54	18/36	52.32	48.46	43.18
3/6	14.22	10.36	5.08	19/38	54.86	51.10	45.72
4/8	16.76	12.90	7.62	21/42	57.40	53.54	48.26
5/10	19.30	15.44	10.16	22/44	62.48	58.62	53.34
6/12	21.84	17.98	12.70	24/48	67.56	63.70	58.42
7/14	24.38	20.52	15.24	25/50	70.10	66.24	60.96
8/16	26.92	23.06	17.78	30/60	82.80	78.94	73.66
9/18	29.46	25.60	20.32	31/62	85.34	81.48	76.20
10/20	32.00	28.14	22.86	32/64	87.88	84.02	78.74
11/22	34.54	30.68	25.40	35/70	95.50	91.64	86.36
12/24	37.08	33.22	27.94	36/72	98.04	94.18	88.90
13/26	39.62	35.76	30.48	40/80	108.20	104.34	99.06
14/28	42.16	38.30	33.12	43/86	115.82	111.96	106.68
15/30	44.70	40.84	35.56	49/98	138.68	134.82	129.54
16/32	47.24	43.38	38.10	54/108	143.76	139.90	134.62
17/34	49.78	45.92	40.64				



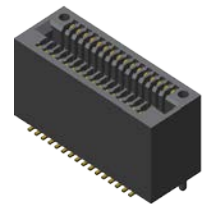
TAIL LENGTH	L	Row To Row	S
A	3.50mm	E	5.08mm
B	6.00mm	D	3.81mm
C	10.80mm	B	3.00mm
		A	2.54mm

P/N.: 5ECN1R0BX-XXXXXXL-B1

Cardedge 1.0mm SMT Type



CONTACTS NO.	DIM A	DIM B	DIM C	DIM D
20	14.5	12.00	9.00	13.24
32	20.5	18.00	15.00	19.24
40	24.5	22.00	19.00	23.24
60	34.5	32.00	29.00	33.24
64	36.5	34.00	31.00	35.24
80	44.5	42.00	39.00	43.24
100	54.5	52.00	49.00	53.24
120	64.5	62.00	59.00	63.24
140	74.5	72.00	69.00	73.24



P/N.: 5ECN5M1BN-XXXXXTU-B1

ORDER INFORMATION

5
E
C
N
X
X
X
B
X
-
X
X
X
X
X
-
B
1

1: Pitch 2.54
5: Pitch 1.0

S: Straight
R: R/A
M: SMT

(For R/A)
Row To Row
A: 2.54
B: 3.00
D: 3.81
E: 5.08

(For Straight/SMT)
N: Non Type

No. of Contact
A1: 100, A2: 120, A3: 108,
A4: 124, A5: 128, A7: 160,
A6: 140

For 5ECN1S0BN 04~120
For 5ECN1R0BX 04~108
For 5ECN5M1BN
20, 32, 40, 60, 64, 80,
100, 120, 140, 160

⌀G0: Gold Flash ⌀S0: Selective
GA: Gold 5u" SA: Selective 5u"
GB: Gold 10u" SB: Selective 10u"
GC: Gold 20u" SC: Selective 20u"
GD: Gold 30u" SD: Selective 30u"

Tail Length
A: 3.5
B: 6.0
C: 10.8

L: RoHS + PBT
U: RoHS + PPS

©: Standard Recommend X: Box T: Tube

Old P/N: EC1S-XX-L
EC1R-XX-L
EC5M-XX-U