

# MACHINE PIN HEADER

## Machine Pin Header Right Angle Type 2.54mm

**TOPTTEK**<sup>®</sup>

HARDWARE ELECTRONIC COMPONENTS



www.toptek-co.com



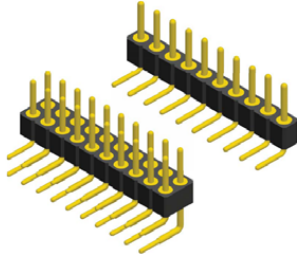
RoHS 2002/95/EC

### Specifications

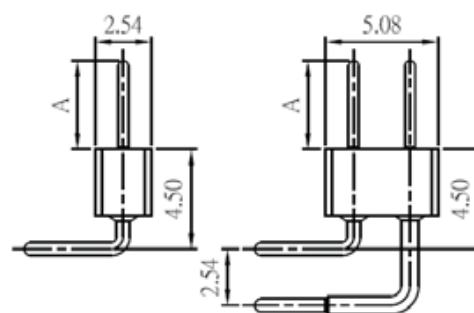
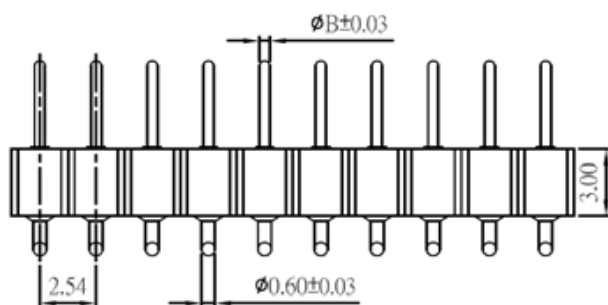
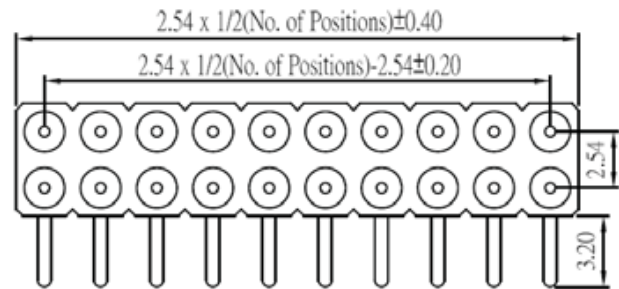
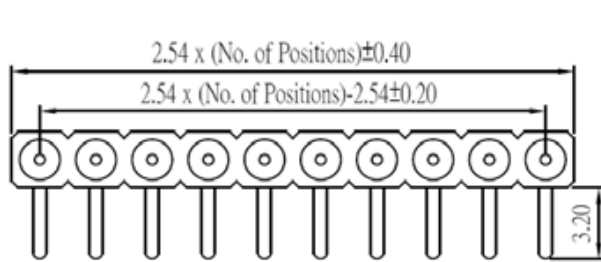
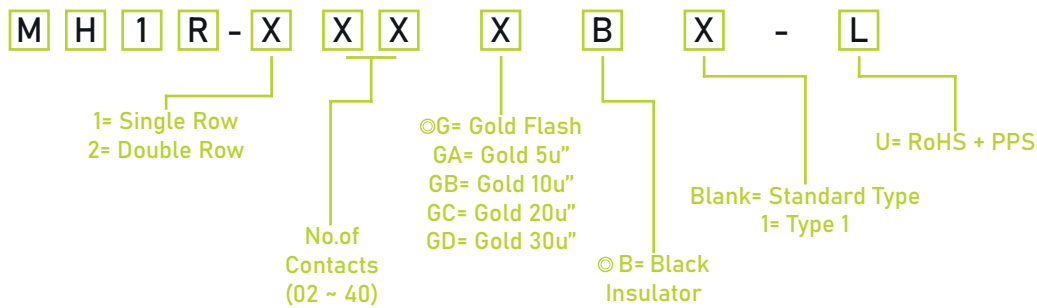
Current Rate: 3 AMP | Insulation Resistance:  $\geq 1000\text{M}\Omega$  at V=100V | Contact Resistance:  $\leq 4\text{m}\Omega$ /Contact | Dielectric Voltage: 1000V AC for one minute | Operation Temperature:  $-40^{\circ}\text{C}$  to  $+105^{\circ}\text{C}$

### Material

Insulator: Polyester, UL 94V-0 | © Standard: PPS | Terminal: Copper Alloy | Plated: Gold Plated



## ORDER INFORMATION



Part No.	Dim A	Dim B
MH1R-1/2XX-U	5.0	0.76
MH1R-1/2XX-1-U	4.0	0.50