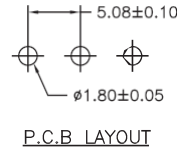
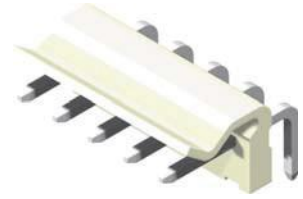
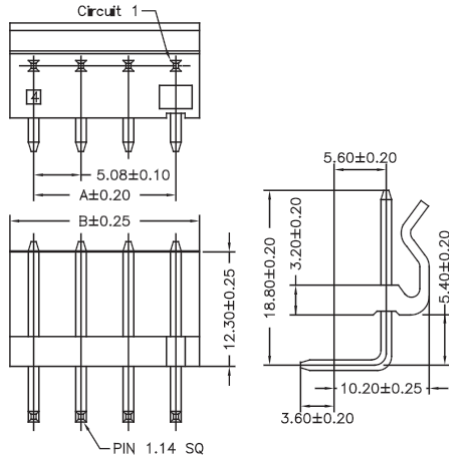


5.08mm Wafer R/A / Straight Type & W/O Ramp R/A / Straight Type

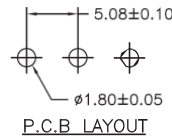
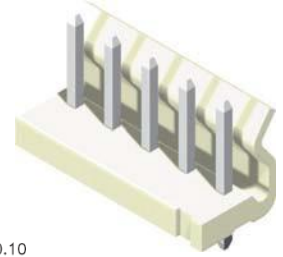
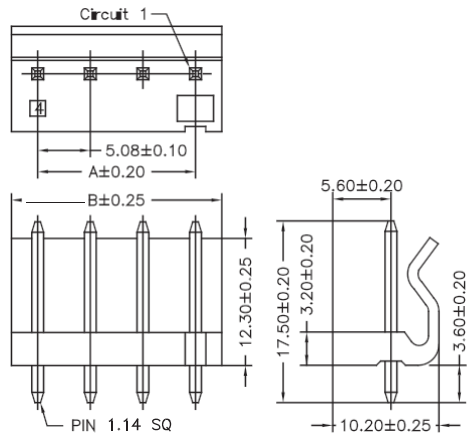
Specifications

Current Rating: 7A AC,DC
Voltage Rating: 250V AC,DC
Temperature Range: -20°C to +85°C
Contact Resistance: 10mΩ Max
Insulation Resistance: 1000MΩ Min
Withstanding Voltage: 1500V AC/minute
Terminal: Brass / Tin Plated
Material: Nylon 66, UL94V-2

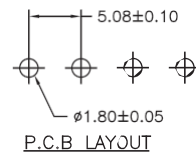
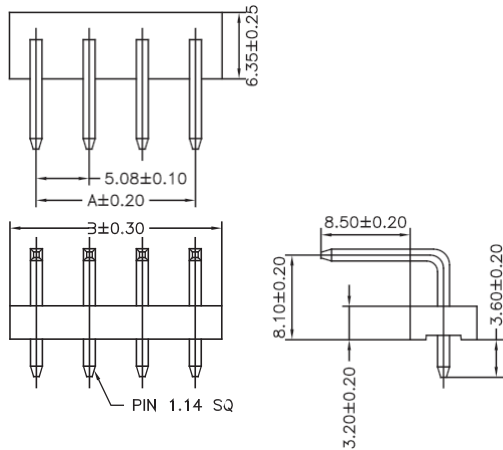
No. of Contacts	Dimensions	
	A	B
2	5.08	10.08
3	10.16	15.16
4	15.24	20.24
5	20.32	25.32
6	25.40	30.40
7	30.48	35.48
8	35.56	40.56
9	40.64	45.64
10	45.72	50.72
11	50.80	55.80
12	55.88	60.88
13	60.96	65.96
14	66.04	71.04
15	71.12	76.12
16	76.20	81.20
17	81.28	86.28
18	86.36	91.36
19	91.44	96.44
20	96.52	101.52



Part No.:5083RA-XXTW-L

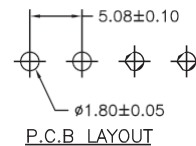
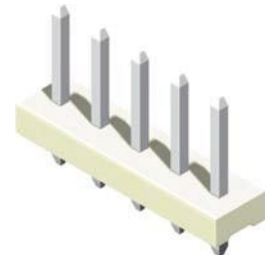
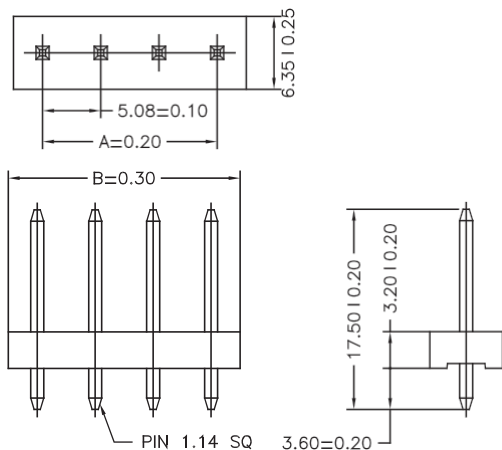


Part No.:5083SA-XXTW-L



Part No.:5083RB-XXTW-L

No. of Contacts	Dimensions	
	A	B
2	5.08	10.16
3	10.16	15.24
4	15.24	20.32
5	20.32	25.40
6	25.40	30.48
7	30.48	35.56
8	35.56	40.64
9	40.64	45.72



Part No.:5083SB-XXTW-L